



SST2 Robot Platform

Assembly and Operation

This is a SST tracked robot platform and is equipped with 32mm motors, a motor controller, and Spektrum remote control. This is a rugged robot platform. By default, the treaded robot handles up to 5lbs of additional payload and travels 50 ft/min.

Images shown may not be an exact representation of the robot's features listed in this document

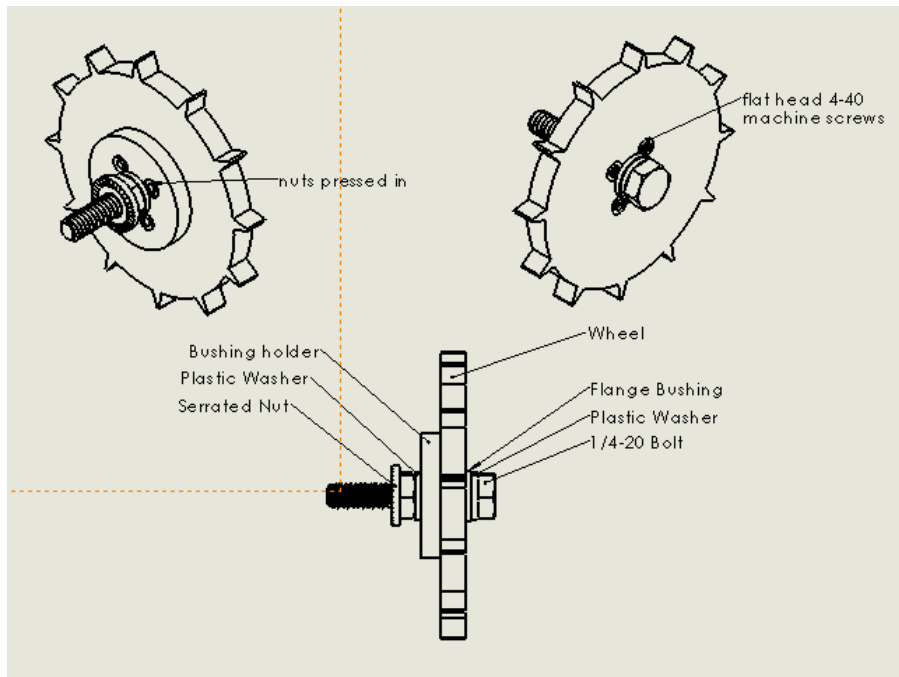


Contents

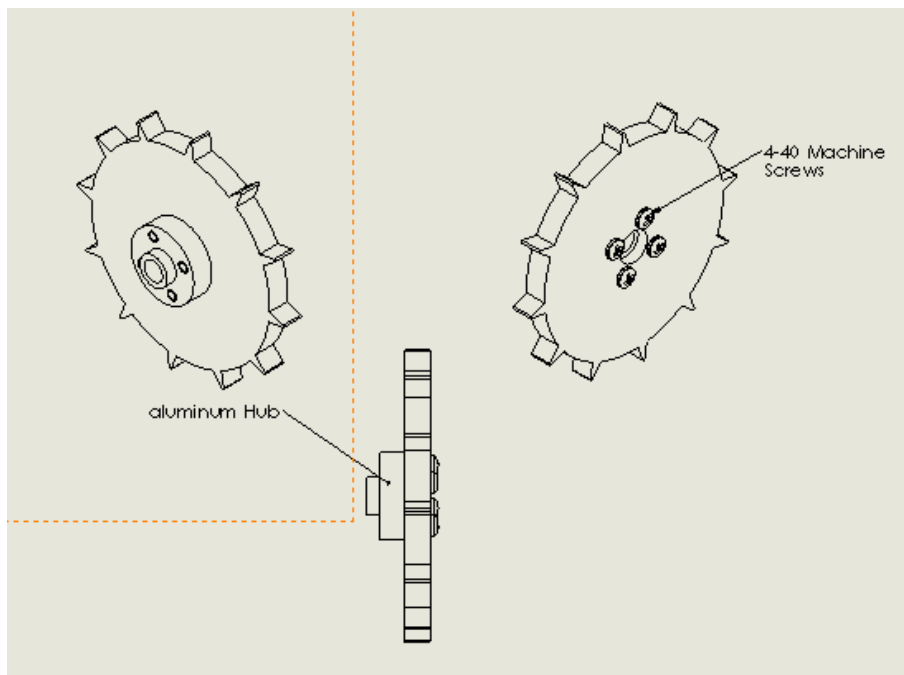
Mechanical Assembly	3
Electrical Assembly	5
General Terms.....	6

Mechanical Assembly

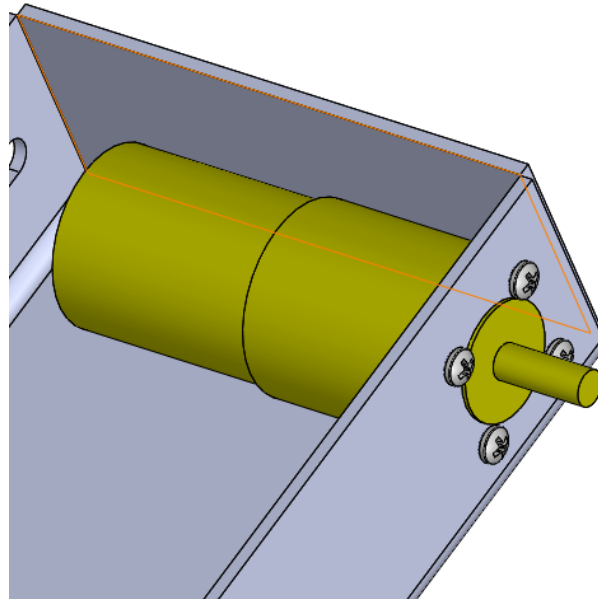
1. Assemble the idler wheels using the parts shown below.



2. Assemble the drive wheels using the hub and 4-40 machine screws as shown below.



3. Bolt the motor in using the M3X8 machine screws.



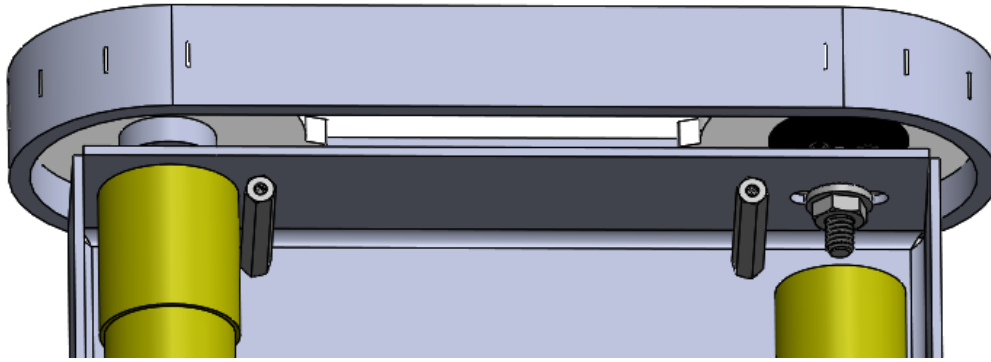
4. Mount the idler wheel assembly in the slot in the chassis. The serrated flanged nut should go up against the outside of the chassis. Fasten in place using another serrated flanged nut on the inside of the chassis. Make sure the wheel can spin freely but is not too sloppy. You can tighten or loosen the wheel by adjusting the positioning of the flanged nuts.
5. Slide the aluminum hub onto the motor shaft and tighten the set screw onto the motor shaft. USE LOCTITE to make sure you it will not back out over time.





SST2 Robot Platform

6. Roll the track onto the wheels (the motors will backdrive). If the tread is not tight enough roll the tread back off, loosen up on the axle nut and slide the axle back towards the end of the slot. Do this until you have enough tension on the track.



Electrical Assembly

For electrical assembly please find the schematic on our website:

[Schematics](#)

For additional support on wiring, soldering, and crimping, please read the following support pages:

[Electric Motor Hookup Support](#)

[Electric Power Hookup Support](#)

[Soldering Tips](#)

[Crimping Wires](#)



General Terms

1. SuperDroid Robots, Inc is not responsible for special incidental or consequential damages resulting from any warranty or under any legal theory, including, but not limited to lost profits, downtime, goodwill, damage to, or replacement equipment or property, or any cost of recovering, reprogramming, or reproducing any data stored. ANY LIABILITY SHALL BE LIMITED TO REPLACEMENT OF DEFECTIVE PARTS. SuperDroid Robots, Inc. is further not responsible for any personal damages, including, but not limited to bodily and health damages resulting from any use of our products.
2. SuperDroid Robots, Inc. makes no representations as to the fitness of its products for specific uses. ANY IMPLIED WARRANTY OF MERCHANTABILITY OR FITNESS FOR A PARTICULAR PURPOSE IS HEREBY EXCLUDED.
3. Agreements shall be construed in accordance with the laws of the State of North Carolina, and the rights and obligations created hereby shall be governed by the laws of North Carolina.
4. In the event a dispute or controversy arises, such dispute or controversy (including claims of default) shall be brought in the courts of Wake County, North Carolina and the plaintiff hereby agrees to this choice of venue.