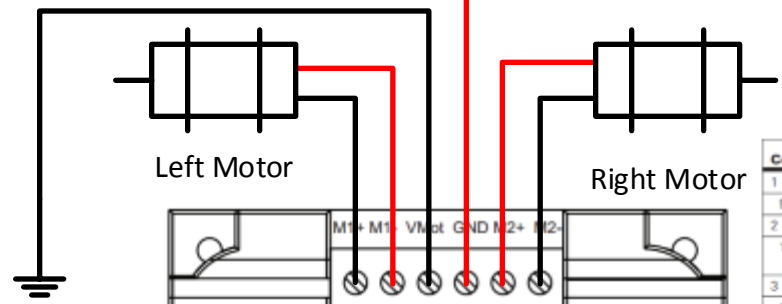
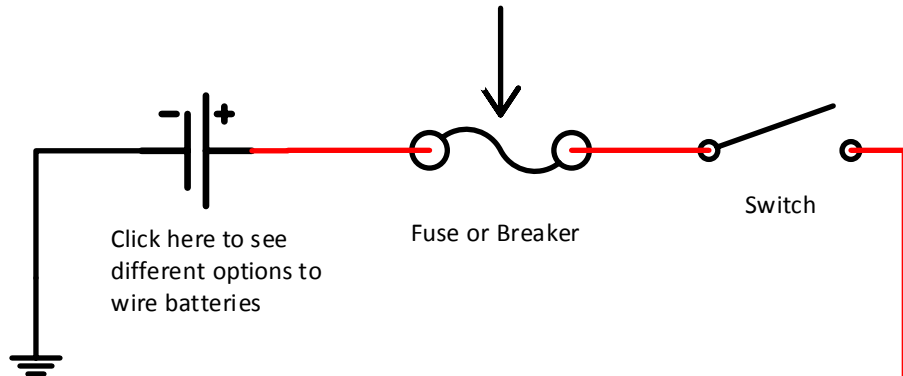
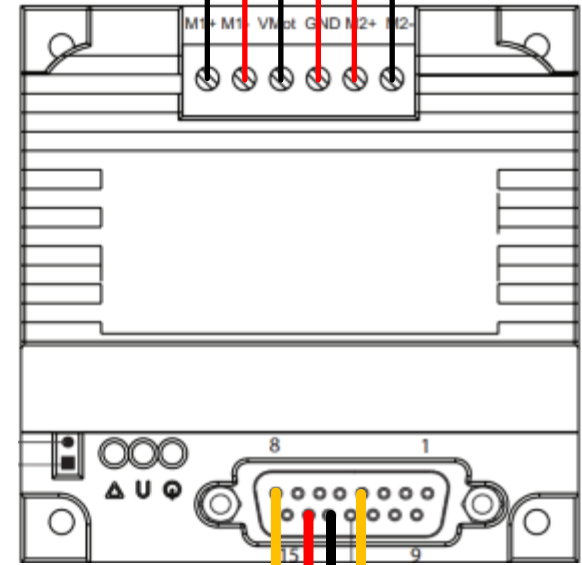


Disclaimer:
 Only qualified and experienced personnel should wire robots. SuperDroid Robots offers assembly of all their robot kits. Please see: <http://www.superdroidrobots.com/terms.htm>



Roboteq
 TE-144-060 or TE-144-030



Connector Pin	Power	Dout	Com	RC	Ana	Dinput	Enc	Default Config
1		DOUT1						Unused
9		DOUT2						Unused
2			TxOut					RS232Tx Data
10				RC5	ANA5 (1)(2)	DIN5	ENC2A	Unused
3			Rxn					RS232Rx Data
11				RC4	ANA4 (1)(2)	DIN4		Unused
4				RC1	ANA1 (1)(2)	DIN1	ENC1A	RCRadio1
12				RC3	ANA3	DIN3		Unused
5	GND							
13	GND							
6			CANL (3)					
14	5VOut							
7			CANH (3)					
15				RC6 (1)	ANA6 (2)	DIN6	ENC2B	Unused
8				RC2	ANA2	DIN2	ENC1B	RCRadio2

Cables used to connect to the receiver
 TE-040-001



SAFETY NOTICE:
 Be sure that all positive (red) battery terminals are properly fused and all wires are properly gauged according to safety standards.



SuperDroid Robots Inc

Wiring RoboteQ.SDC Motors and encoders