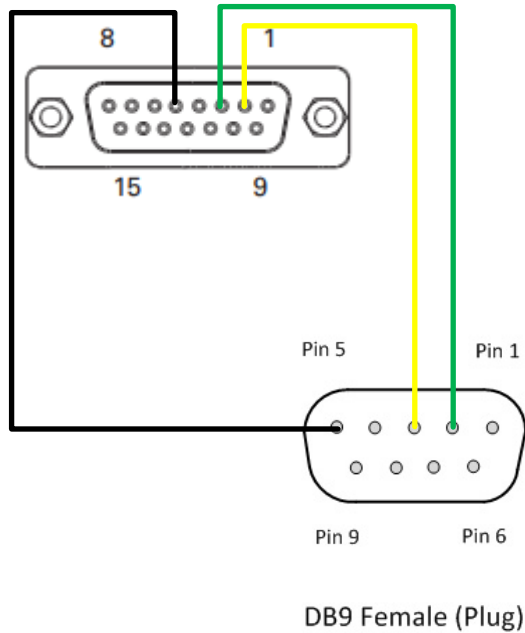


Connector Pin	Power	Dout	Com	RC	Ana	Dinput	Enc	Default Config
1		DOUT1						Unused
9		DOUT2						Unused
2			TxOut					RS232Tx Data
10				RC5	ANA5 (1)(2)	DIN5	ENC2A	Unused
3			Rxn					RS232Rx Data
11				RC4	ANA4	DIN4		Unused
4				RC1	ANA1 (1)(2)	DIN1	ENC1A	RCRadio1
12				RC3	ANA3	DIN3		Unused
5	GND							
13	GND							
6			CANL (3)					
14	5VOut							
7			CANH (3)					
15				RC6 (1)	ANA6 (2)	DIN6	ENC2B	Unused
8				RC2	ANA2	DIN2	ENC1B	RCRadio2

Note 1: RC6, ANA5 and ANA6 present on hardware version 2
Note 2: On hardware version 1, ANA1 is on pin 10
Note 3: On hardware version 1, CAN is only available on SDC21xxN

Roboteq DB15 Connection



SuperDroid Robot DB9 Rs232 To TTL cable MCU-026-072



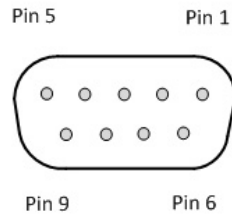
Roboteq DB15 PinOut

Connections needed RX, TX, Gnd, 5V



RS-232 Pinout

- Pin 1: Data Carrier Detect (DCD)
- Pin 2: Received Data (RxD)
- Pin 3: Transmit Data (TxD)
- Pin 4: Data Terminal Ready (DTR)
- Pin 5: Ground (Gnd)
- Pin 6: Data Set Ready (DSR)
- Pin 7: Request to Send (RTS)
- Pin 8: Clear to Send (CTS)
- Pin 9: Ring Indicator (RI)



DB9 Female (Plug)

Female DB9 PinOut



SuperDroid Robots Inc

Roboteq_Rs232_Connection

PAGE