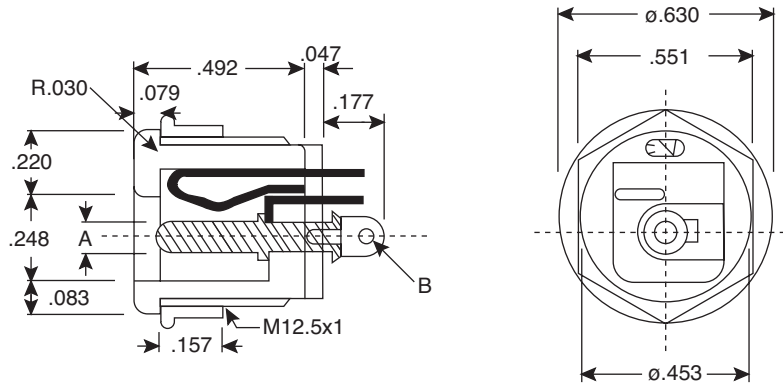
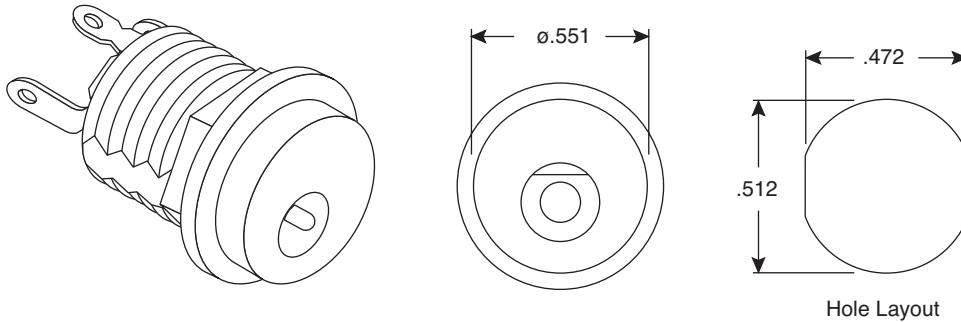


# DC Power Jacks

163-4302-E, 163-4303-E



DC Power Jacks



**DIMENSIONS: In.**

SPECIFICATIONS	
<b>Pin Size (A):</b>	ø2mm (163-4302-E), ø2.35 (163-4303-E)
<b>Contact Resistance:</b>	30mΩ max.
<b>Insulation Resistance:</b>	100MΩ min. @ 250VDC
<b>Breakdown Voltage:</b>	250VAC for 1 minute
<b>Rated Current:</b>	0.5A @ 12/24V
<b>Body:</b>	ABS
<b>Pin:</b>	Nickel Plated Brass
<b>Contact Spring:</b>	Silver Plated Copper/Zinc/Aluminum Alloy
<b>Terminals:</b>	Silver Plated Brass Wire
<b>Insulator:</b>	Phenol
<b>Nut:</b>	Polymid 12.5mm P=1
<b>B:</b>	163-4302-E = ø.22 x .084 163-4303-E = ø.22 x .10
<b>RoHS Compliant</b>	

Date Last Revised: 4-1-11

Available from Mouser Electronics  
1-800-346-6873 / www.mouser.com

KC-301339

163-4302-E, 163-4303-E

# Mouser Electronics

Authorized Distributor

Click to View Pricing, Inventory, Delivery & Lifecycle Information:

[Kobiconn:](#)

[163-4302-E](#) [163-4303-E](#)