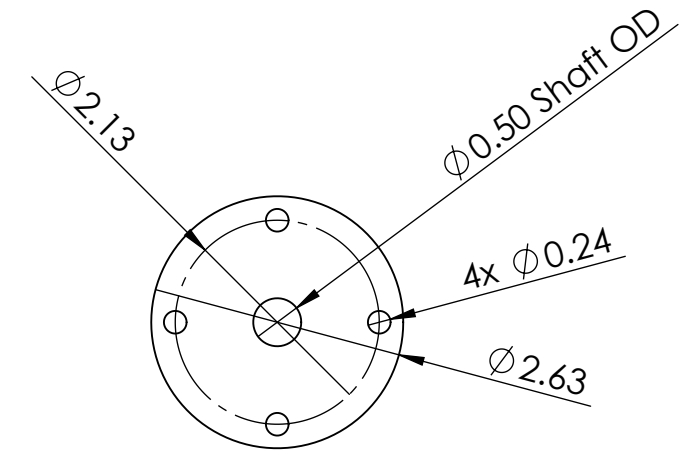
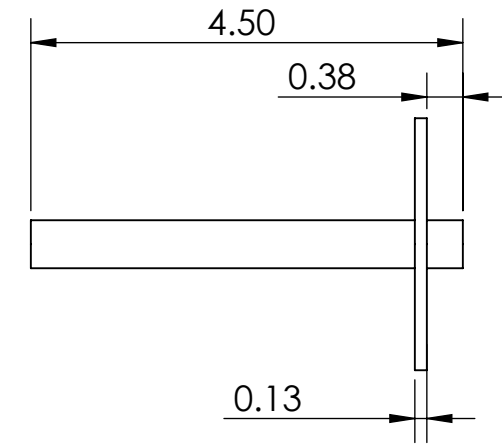
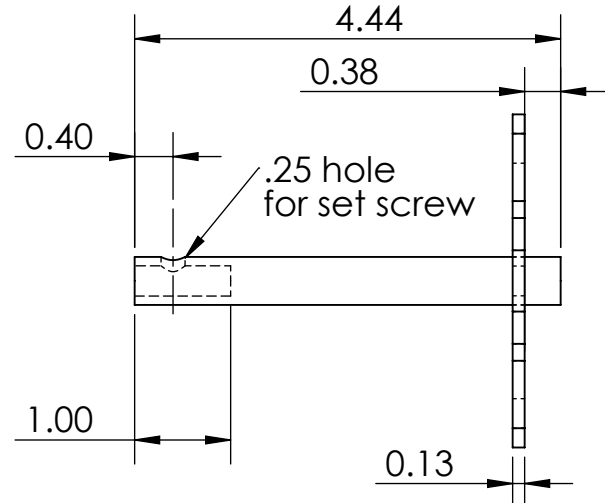
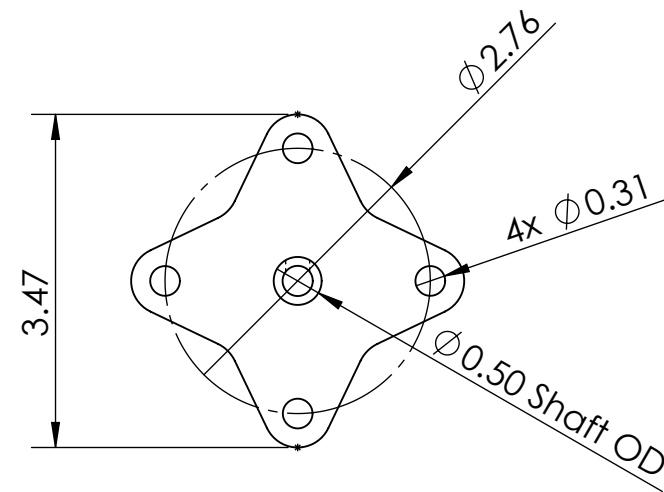


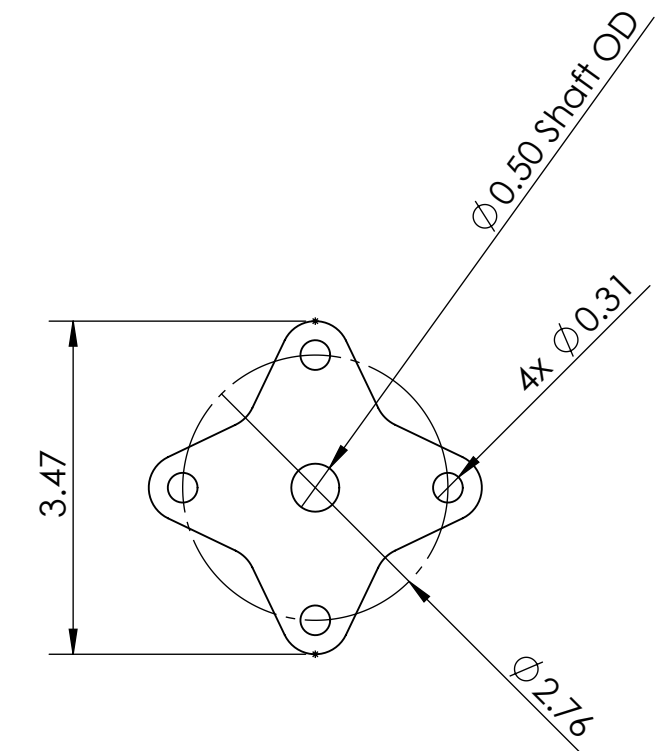
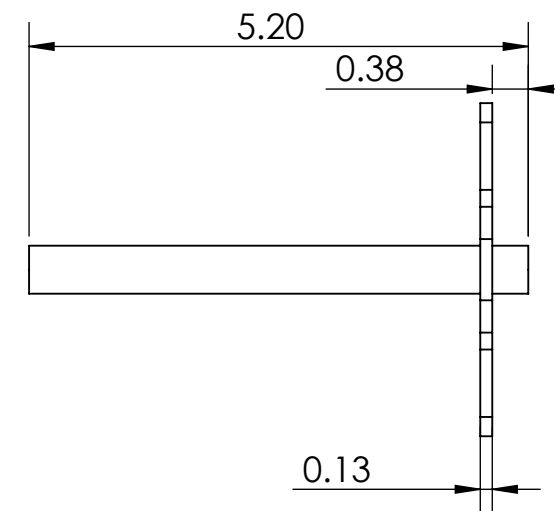
6in Standard ATR



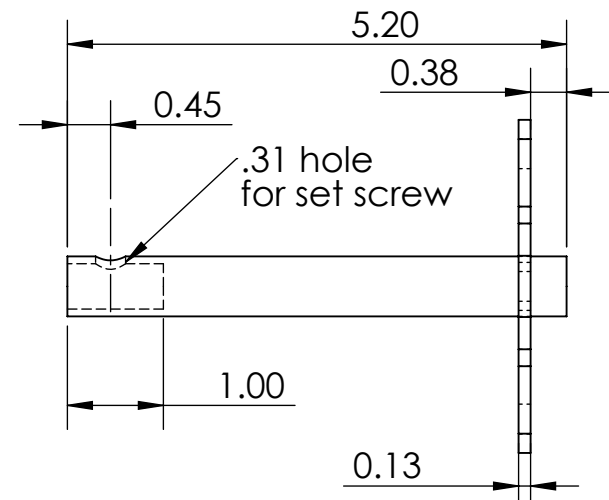
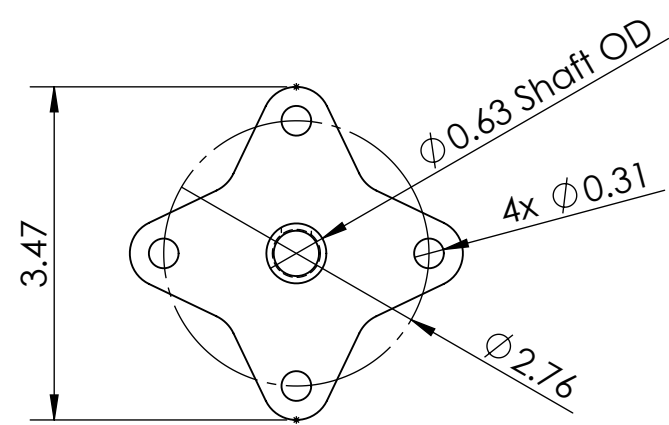
6in Heavy Duty ATR



10in Standard ATR



10in Heavy Duty ATR



10in IG52 ATR

Notes:

1. 6in and 10in refer to the size of the tires
2. Standard shafts are designed for use in a robot with direct drive and a single bearing
3. Heavy Duty shafts are designed for use in a robot with chain drive and two bearings
4. Standard shafts are available in both 6mm and 8mm bore sizes except for IG52, which is only available in 12mm bore