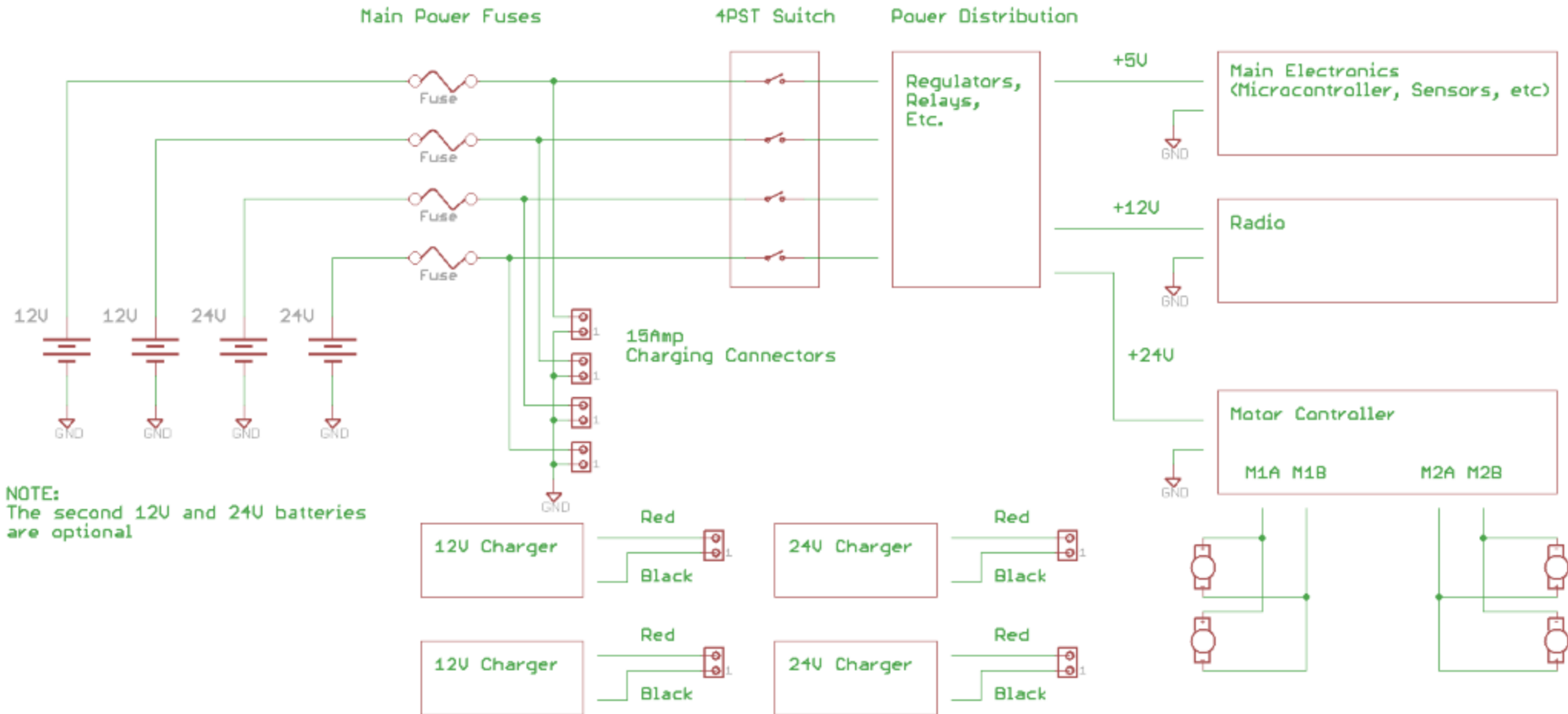




Typical ATR Power Hookup – Heavy Duty

© SuperDroid Robots
www.SuperDroidRobots.com



NOTE:
The second 12V and 24V batteries are optional

<p>SAFETY NOTICE: Be sure that all positive (red) battery terminals are properly fused and all wires are properly gauged according to safety standards.</p>	<p>Disclaimer: Only qualified and experienced personnel should wire robots. SuperDroid Robots offers assembly of all their robot kits. Please see: http://www.superdroidrobots.com/terms.htm</p>
--	---