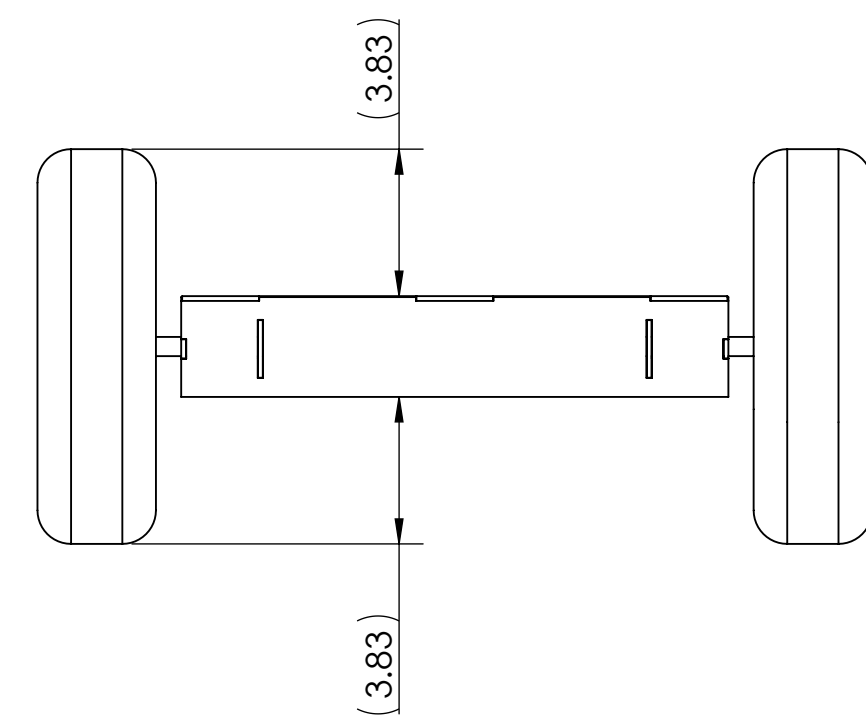
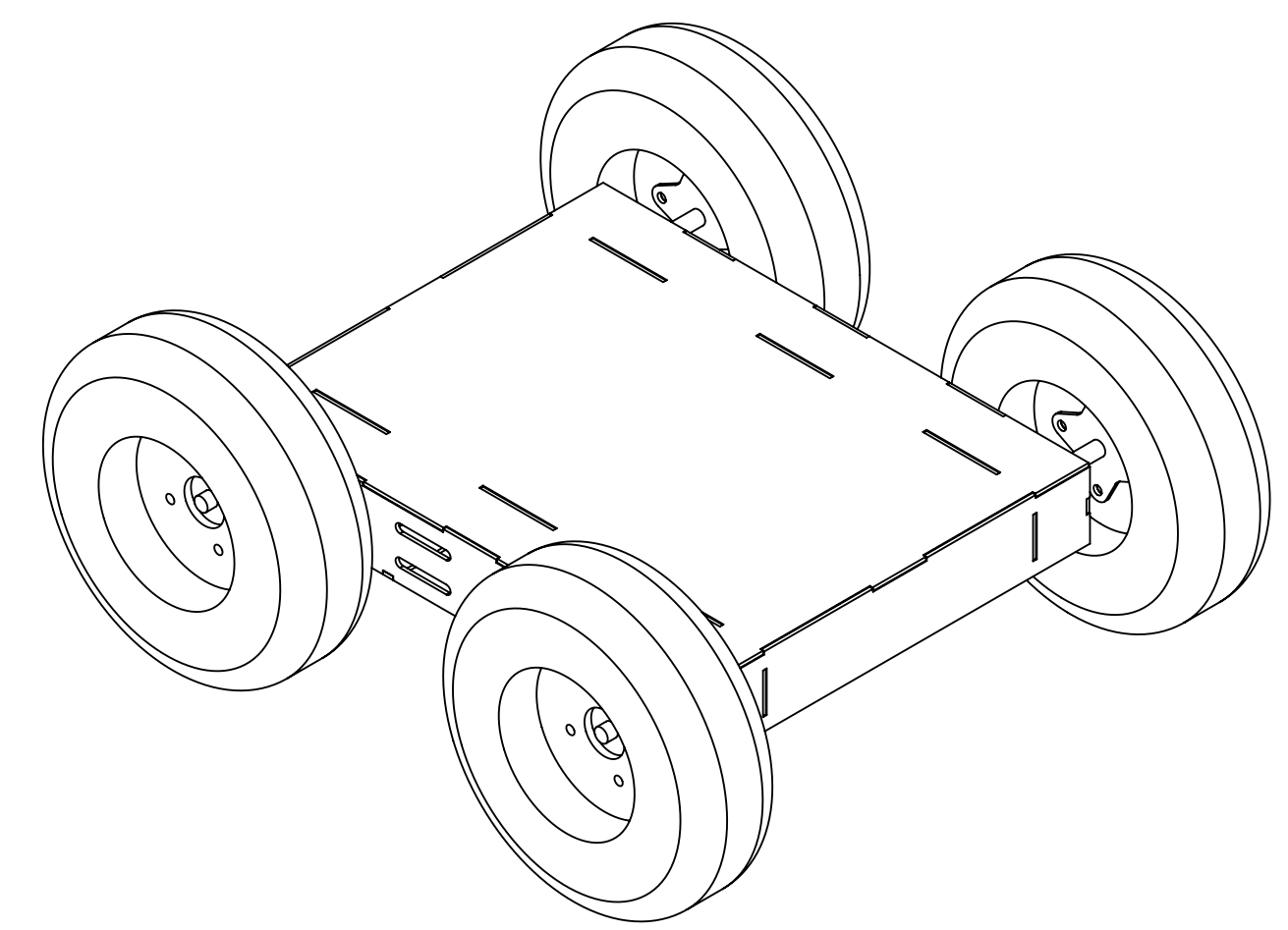
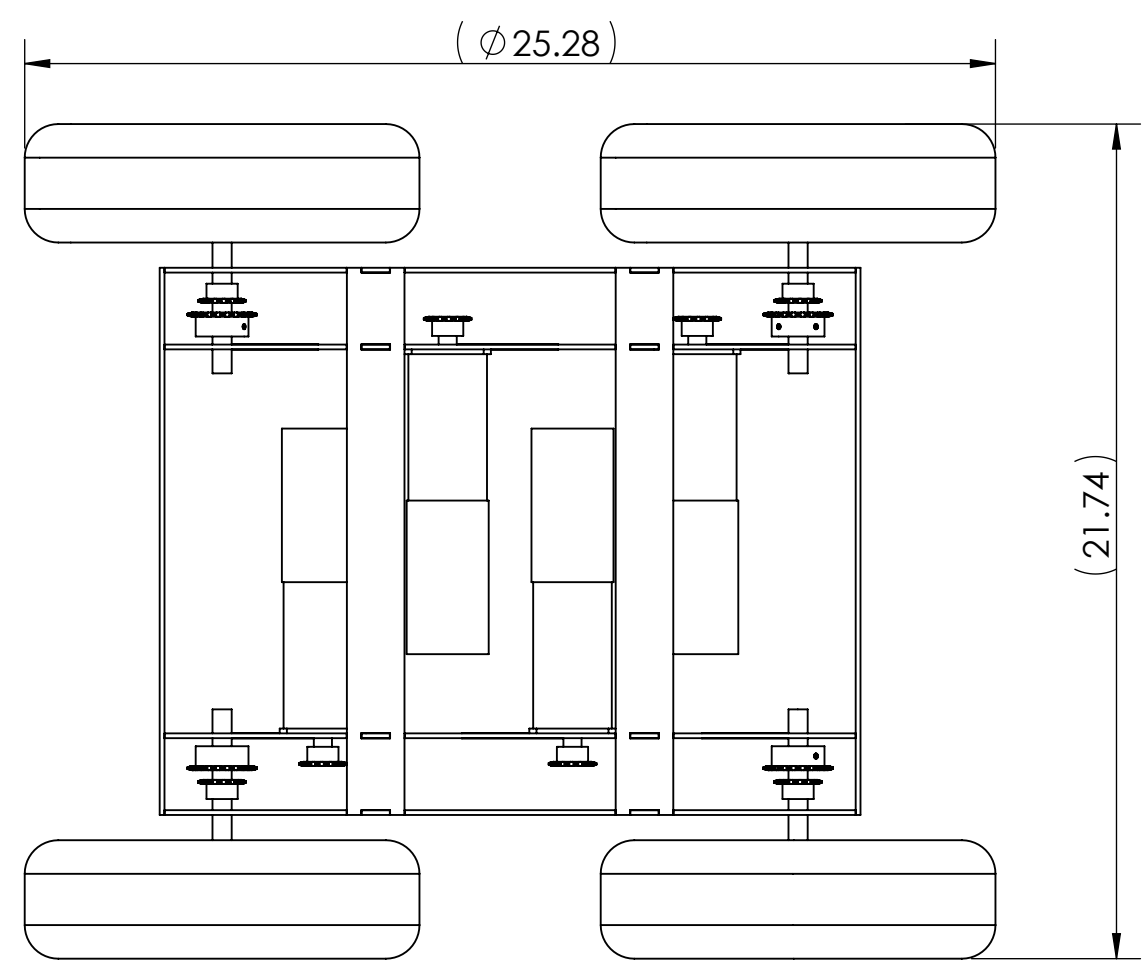
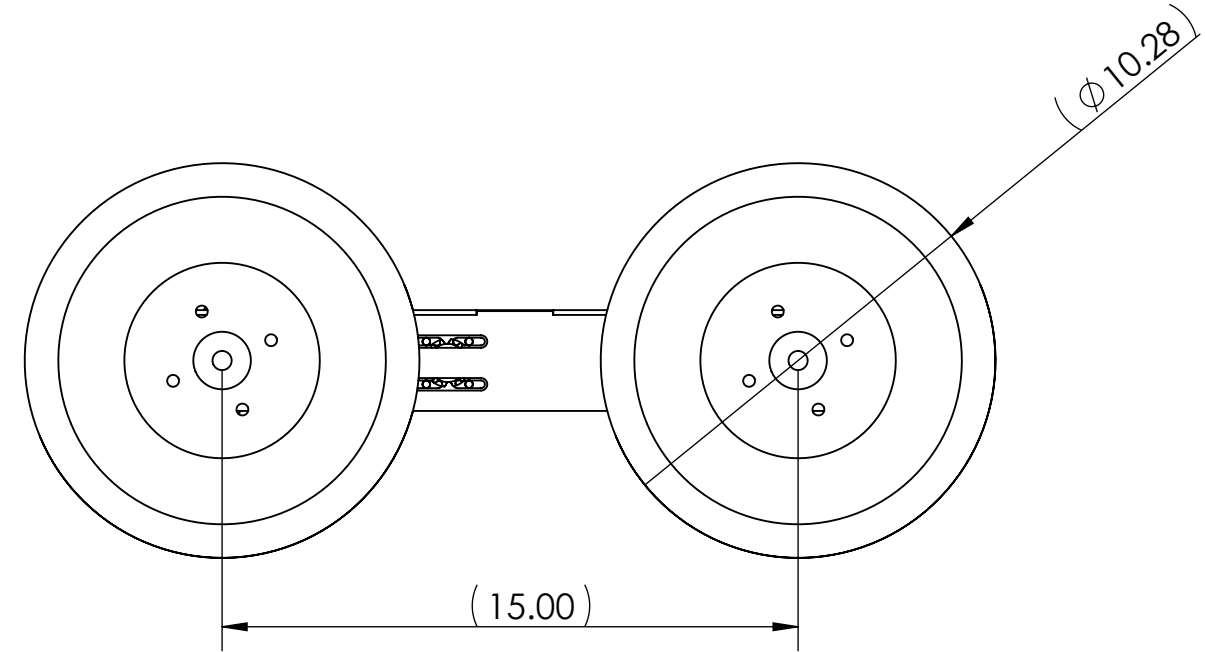
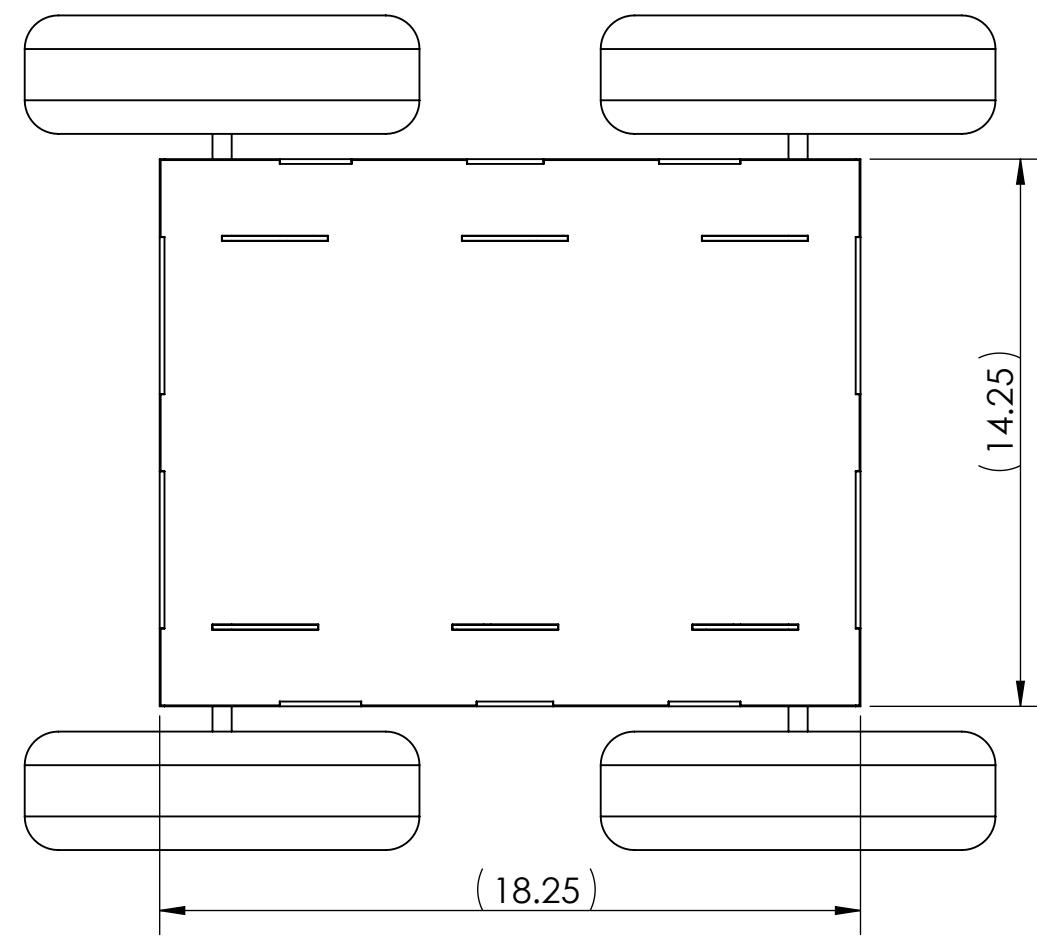


6 inch tire configuration



10 inch tire configuration

SUPERDROID ROBOTS INC
 Ph: 919-557-9162
 Fax: 775-416-2595

PROPRIETARY AND CONFIDENTIAL
 THE INFORMATION CONTAINED IN THIS DRAWING IS THE SOLE PROPERTY OF SUPERDROID ROBOTS INC. ANY REPRODUCTION IN PART OR AS A WHOLE WITHOUT THE WRITTEN PERMISSION OF SUPERDROID ROBOTS INC IS PROHIBITED.

UNLESS OTHERWISE SPECIFIED:
 DIMENSIONS ARE IN INCHES
 ANGULAR: 0.5 deg
 TWO PLACE DECIMAL ±0.03
 THREE PLACE DECIMAL ±0.005

COMMENTS:

SIZE	DWG. NO.	REV
C	Assembly HD IG52	1/6/2014
SCALE: 1:5	MATERIAL:	SHEET 2 OF 2

SHEET 2 OF 2