

# EV3150A

## VIDEO ENCODER



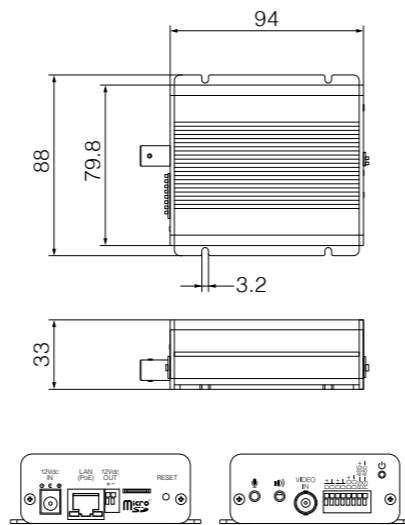
### SPECIFICATIONS

<b>Model</b>	<b>EV3150A</b>
<b>Video Compression</b>	M-JPEG, MPEG-4, H.264 Format Selectable
<b>MJPEG</b>	NTSC: 30fps @ 720 x 480(D1 Resolution) PAL: 25fps @ 720 x 576(D1 Resolution)
<b>MPEG4</b>	NTSC: 30fps @ 720 x 480(D1 Resolution) PAL: 25fps @ 720 x 576(D1 Resolution)
<b>H.264</b>	NTSC: 30fps @ 720 x 480(D1 Resolution) PAL: 25fps @ 720 x 576(D1 Resolution)
<b>Video Streaming</b>	Simultaneous Dual Streams with Controllable Frame Rate and Bandwidth
<b>Bitrate</b>	M-JPEG: 5 Video Quality Level Selectable MPEG-4/H.264: 64 K~4 Mbps
<b>Video Input</b>	BNC, 1.0 Vp-p with 75 Ω Loading
<b>Video Output</b>	N/A
<b>Image Setting</b>	Compression, Brightness, Contrast, Saturation
<b>Audio Compression</b>	ADPCM, AMR
<b>Audio Input</b>	Line In x 1
<b>Audio Output</b>	Line Out x 1
<b>Security</b>	Password Protection IP Address Filtering User Access Privilege
<b>Network Protocols</b>	TCP/IP, UDP, DHCP, PPPoE, HTTP, DNS, DynDNS, NTP, FTP, SMTP, UDP, RTP, RTSP, 3GPP, UPnP, IPv4, SAMBA Client(NAS)
<b>API</b>	EtroSDK™ 3.0
<b>Intelligent Video</b>	Video Motion Detection
<b>Alarm Trigger</b>	Periodical Timer, Intelligent Video and External Input
<b>Alarm Event</b>	Intelligent Video, File Upload via FTP and E-mail, Notification via E-mail, External Output Activation, File Recording to SD, Remote FTP or Remote NAS
<b>Video Buffer</b>	Pre Alarm Buffer and Post Alarm Buffer up to 10 Sec.
<b>Configuration</b>	EtroScan™ Utility, Web UI
<b>Web Browser</b>	Microsoft IE 8.0 or above
<b>Local Storage</b>	microSD/SDHC Card Support
<b>Casing</b>	Metal(Aluminum)
<b>Dimension</b>	80(W) x 33(H) x 94(D) mm
<b>Weight</b>	348 g
<b>Processor &amp; Memory</b>	ARM 9 Base SoC, 128 MB RAM, 16 MB Flash
<b>Power</b>	Power over Ethernet IEEE 802.3af, Max. 3 W, 12 Vdc
<b>I/O Connectors</b>	1. RJ-45 Female 2. DC Jack(12 Vdc In) 3. Reset 4. Alarm In x 2 5. Alarm Out 6. 2-Pin Terminal Block (12 Vdc Out) 7. RS-485 8. microSD Card Slot 9. BNC Video In 10. Audio In 11. Audio Out
<b>Failover</b>	Reset
<b>Operation Conditions</b>	-10°C~50°C(14°F~122°F) Humidity: 20%~80% RH
<b>Protocol Support</b>	PelcoP, PelcoD, DynaColor, Merit_Lilin, Visca, Transparent QIG, Power Adapter, CD-ROM(User Manual, Free Bundle NVR)
<b>Included Accessories</b>	FCC Part15 SubpartB, CN EN55022 ClassB, EN55024, LVD, C-Tick, IC, RoHS
<b>Approvals</b>	

### FEATURES

- ▶ Rack Mount Kit(AC-RMK42)
- ▶ H.264, MPEG-4, M-JPEG Simultaneous Dual Streams
- ▶ Two-way Audio Support
- ▶ Event Recording to SD Card/NAS/FTP
- ▶ Power over Ethernet

### DIMENSIONS(unit:mm)



### ACCESSORY(rack mount kit)

<b>Model</b>	<b>AC-RMK42</b>
<b>Capacity</b>	4 x Compact Size Video Server
<b>Dimensions</b>	482 x 165 x 44.5 mm
<b>Applied Models</b>	EV3150A



# EV5131

## VIDEO DECODER



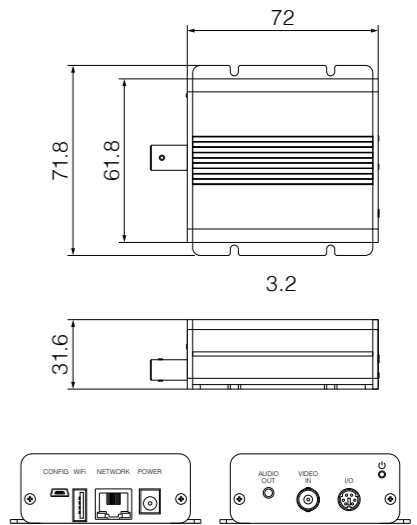
### SPECIFICATIONS

<b>Model</b>	<b>EV5131</b>
<b>Video Decompression</b>	M-JPEG MPEG-4 Format Auto Detection
<b>MJPEG</b>	NTSC: 30fps @ 720 x 480(D1 Resolution) PAL: 25fps @ 720 x 576(D1 Resolution)
<b>MPEG4</b>	NTSC: 30fps @ 720 x 480(D1 Resolution) PAL: 25fps @ 720 x 576(D1 Resolution)
<b>Video Sequencing</b>	Up to 8 Pre-defined Video Sources
<b>Audio Format</b>	Audio Out: 8 kHz Stereo ADPCM
<b>Security</b>	Password Protection IP Address Filtering User Access Privilege
<b>Network Protocols</b>	TCP/IP UDP DHCP HTTP
<b>Event OSD</b>	Video Source Loss Network Loss Motion Detection Alert from the Source
<b>Configuration</b>	EtroScan™ Utility Web UI
<b>Web Browser</b>	Microsoft IE 8.0 or above
<b>Casing</b>	Metal(Aluminum)
<b>Dimension</b>	62(W) x 32(H) x 72(D) mm
<b>Weight</b>	170 g
<b>Processor &amp; Memory</b>	ARM 9 Base SoC 64 MB RAM 8 MB Flash
<b>Power</b>	Max. 2.8 W 12 Vdc
<b>I/O Connectors</b>	1. RJ-45 Female 2. DC Jack(12 Vdc In) 3. EtroLink™ Mini USB Port 4. Audio Out 5. Video Out 6. Mini Din(DI/DO/RS-485)
<b>Failover</b>	EtroLink™ Mini USB Port
<b>Operation Conditions</b>	0°C~40°C(32°F~104°F) Humidity: 20%~80% RH
<b>Included Accessories</b>	Power Adapter CD-ROM Mini Din Cable
<b>Approvals</b>	FCC Part15 SubpartB CN EN55022 ClassB EN55024

### FEATURES

- ▶ Rack Mount Kit(AC-RMK61)
- ▶ MJPEG/MPEG 4 Decoder
- ▶ WiFi 802.11g/b Wireless Networking

### DIMENSIONS(unit:mm)



### ACCESSORY(rack mount kit)

<b>Model</b>	<b>AC-RMK61</b>
<b>Capacity</b>	6 x Compact Size Video
<b>Dimensions</b>	482 x 165 x 44.5 mm
<b>Applied Models</b>	EV3151 Series, EV5131

