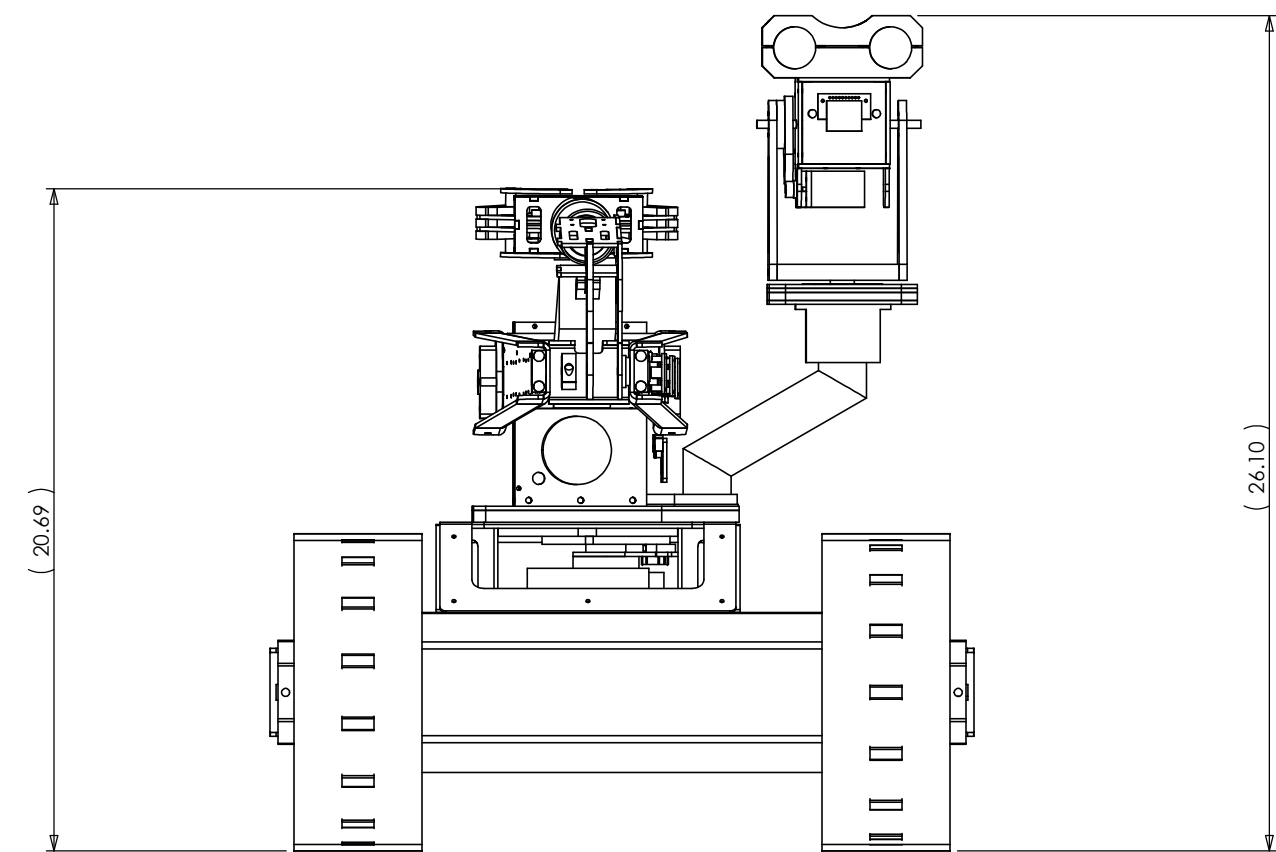
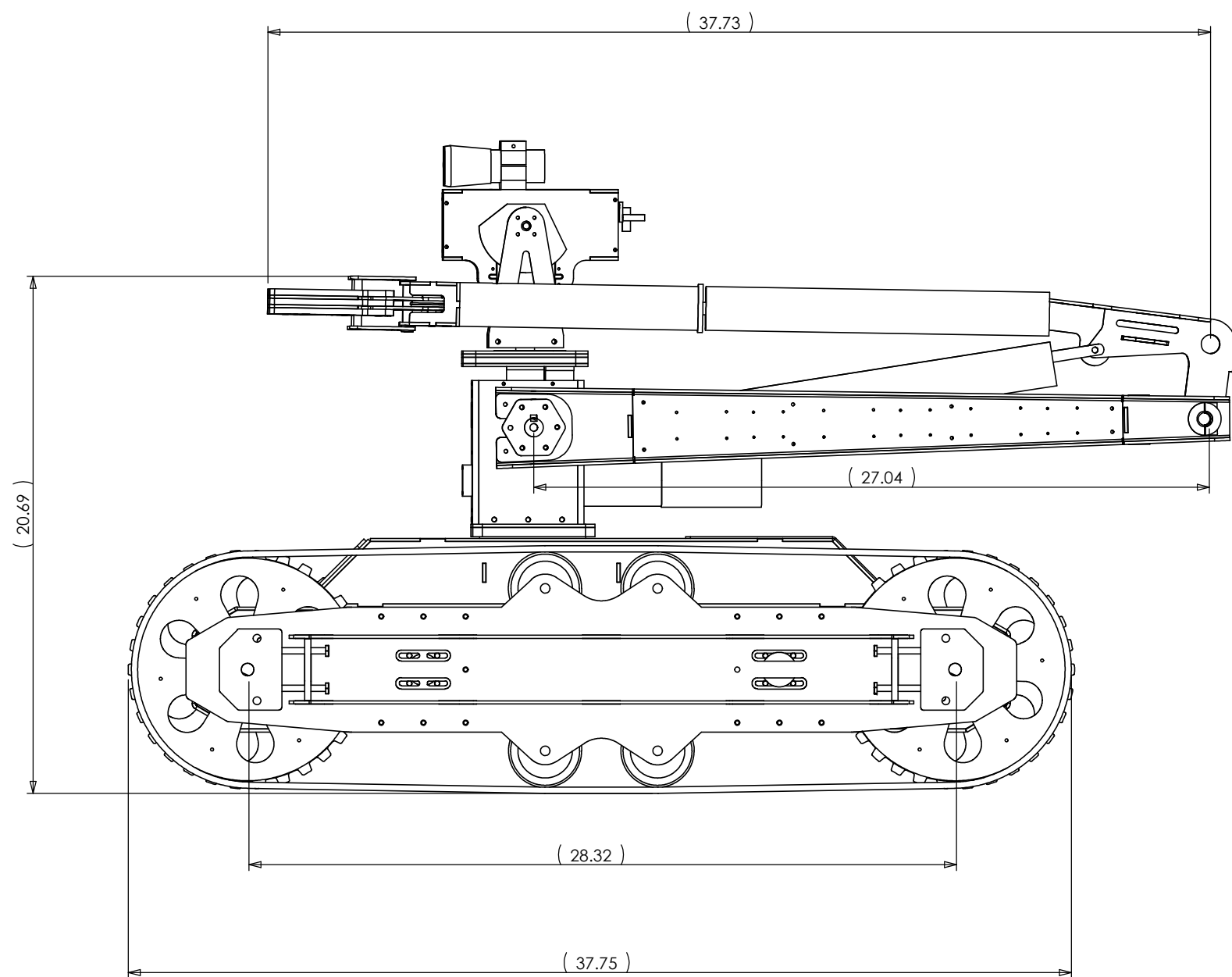
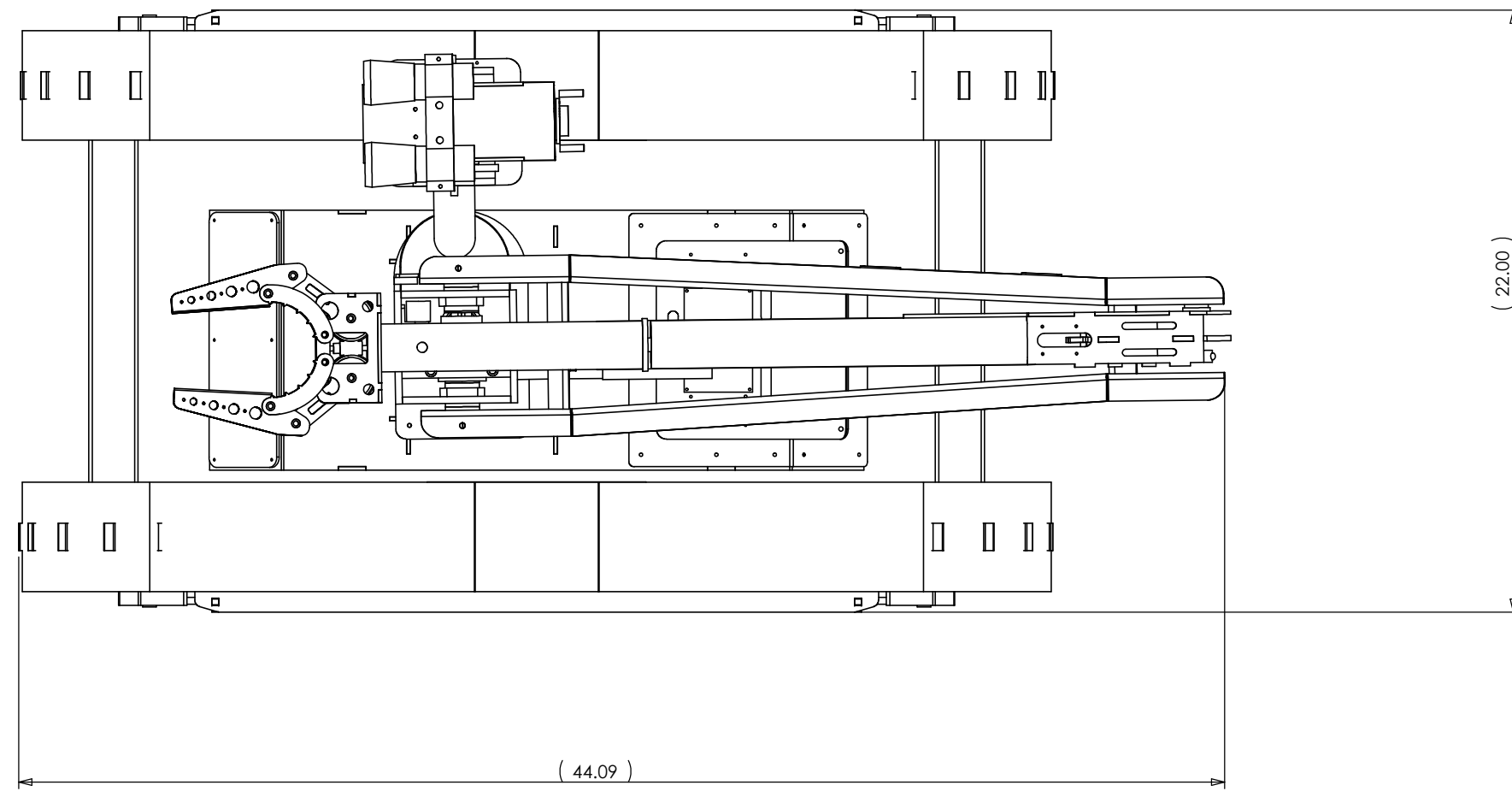


Estimated Weight: 120lbs



SUPERDROID ROBOTS INC
 Ph: 919-557-9162
 Fax: 775-416-2595

PROPRIETARY AND CONFIDENTIAL
 THE INFORMATION CONTAINED IN THIS DRAWING IS THE SOLE PROPERTY OF SUPERDROID ROBOTS INC. ANY REPRODUCTION IN PART OR AS A WHOLE WITHOUT THE WRITTEN PERMISSION OF SUPERDROID ROBOTS INC IS PROHIBITED.

UNLESS OTHERWISE SPECIFIED:
 DIMENSIONS ARE IN INCHES
 ANGULAR: 0.5 deg
 TWO PLACE DECIMAL ±0.03
 THREE PLACE DECIMAL ±0.005

COMMENTS:

SIZE DWG. NO.
C HD2+2W_5Axis

REV
 2/3/11

SCALE: 1:10 MATERIAL:

SHEET 1 OF 1