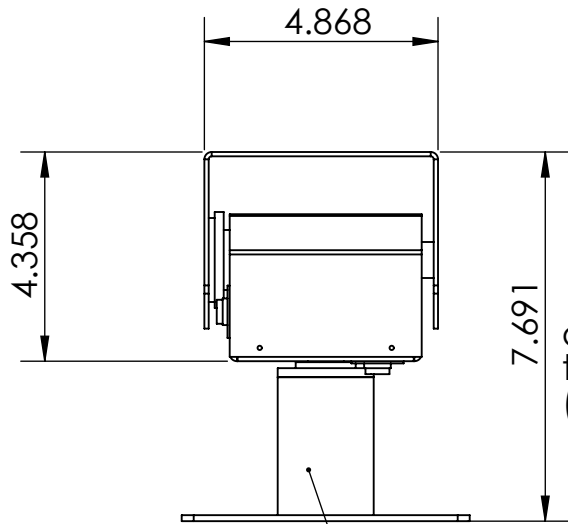
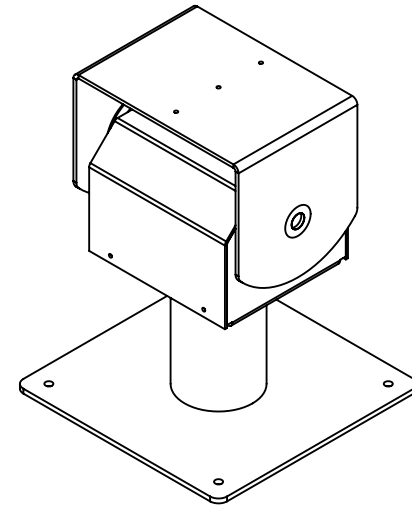
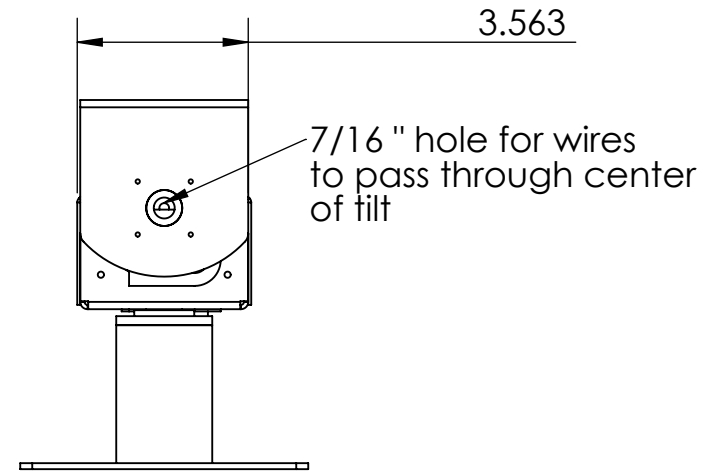


5/8" hole for wires to pass through center of pan



dimension dependant on tube length selected (3 inch shown)

tube length can be adjusted by selected options



SUPERDROID ROBOTS INC

Ph: 919-557-9162
Fax: 775-416-2595

PROPRIETARY AND CONFIDENTIAL

THE INFORMATION CONTAINED IN THIS DRAWING IS THE SOLE PROPERTY OF SUPERDROID ROBOTS INC. ANY REPRODUCTION IN PART OR AS A WHOLE WITHOUT THE WRITTEN PERMISSION OF SUPERDROID ROBOTS INC IS PROHIBITED.

UNLESS OTHERWISE SPECIFIED:
DIMENSIONS ARE IN INCHES
ANGULAR: 0.5 deg
TWO PLACE DECIMAL ±0.03
THREE PLACE DECIMAL ±0.005

SIZE DWG. NO.
A PT_Mast2_Assy

REV
3/13/12

SCALE: 1:4 MATERIAL:

SHEET 1 OF 1