

**Notes:**

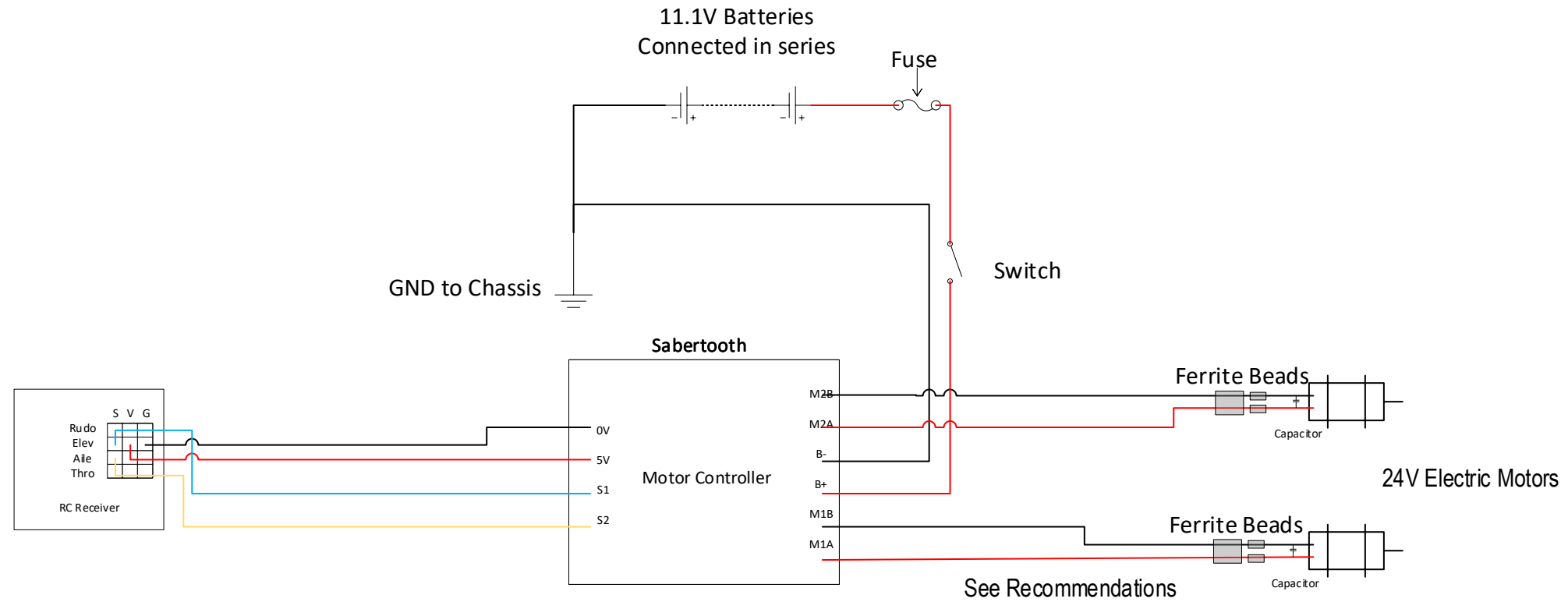
1. Assembly should be performed by knowledgeable and skilled individual. SuperDroid Robots offers assembly services if you are not comfortable reading schematics and performing work.
2. Wire gauges depend on load and size of motors.(See Recommendations)
3. Fuse size depends on load and size of motors.(See Recommendations)
4. Switch should be rated for at least the same amount of current as the fuse.
5. To charge batteries unplug them and use charger or run parallel wire with plug for charger.
6. Servo pigtail (TE-040-001) typically used. Receiver powered from motor controller (ensure motor controller rated for receiver).

**References:**

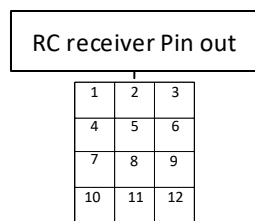
- <http://www.superdroidrobots.com/shop/category.aspx/32mm-gear-motors/76/>
- <http://www.sdrobots.com/tech-thursday-033-power-big-electric-motor/>

**Recommendations :**

1. Shielded wire recommended.
2. Use ferrite beads close to the motor to attenuate electric noise.
3. Install capacitors across motor solder tabs as needed for electric noise suppression.



- Note In receiver connect:
1. 0 v to pin 3, 6, 9 or 12.
  2. 5V to pin 2, 5, 8 or 11.
  3. S1 to pin 4.
  4. S2 to pin 7.



**Notes:**

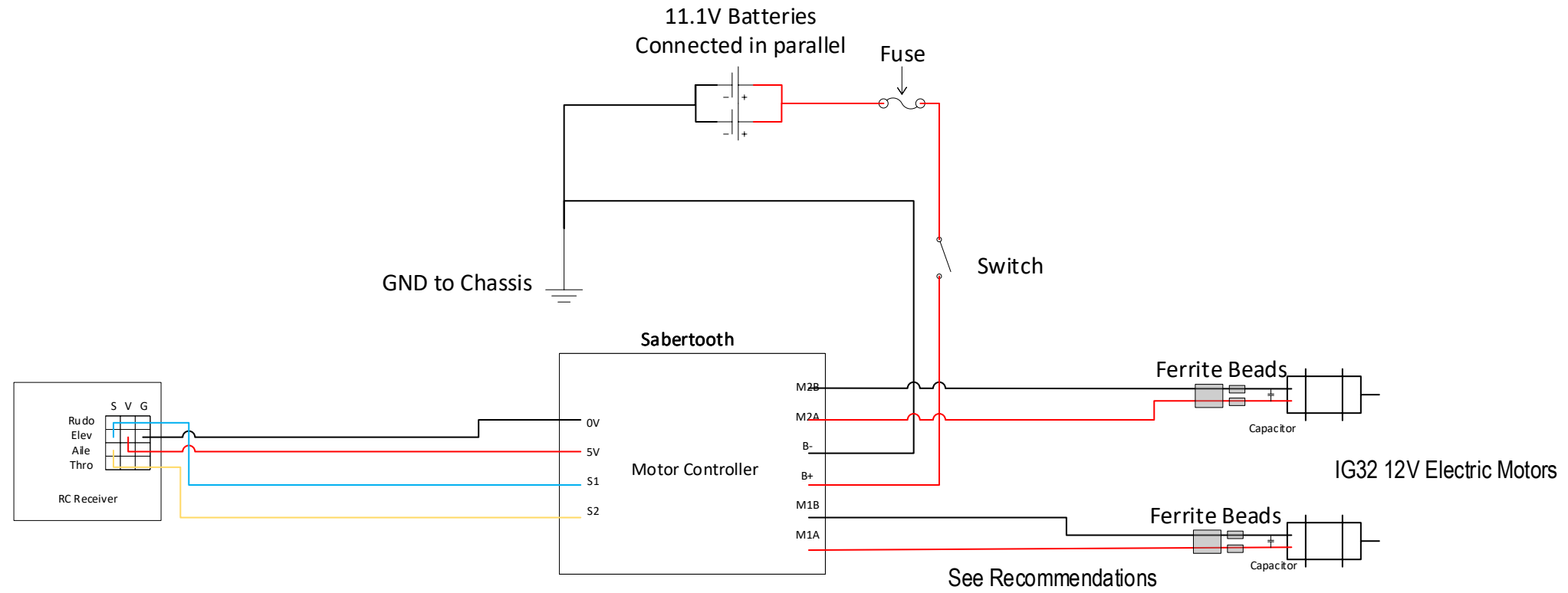
1. Assembly should be performed by knowledgeable and skilled individual. SuperDroid Robots offers assembly services if you are not comfortable reading schematics and performing work.
2. Wire gauges depend on load and size of motors.(See Recommendations)
3. Fuse size depends on load and size of motors.(See Recommendations)
4. Switch should be rated for at least the same amount of current as the fuse.
5. To charge batteries unplug them and use charger or run parallel wire with plug for charger.
- 6.Servo pigtail (TE-040-001) typically used. Receiver powered from motor controller (ensure motor controller rated for receiver).

**References:**

- <http://www.superdroidrobots.com/shop/category.aspx/32mm-gear-motors/76/>
- <http://www.sdrobots.com/tech-thursday-033-power-big-electric-motor/>

**Recommendations :**

1. Shielded wire recommended.
2. Use ferrite beads close to the motor to attenuate electric noise.
3. Install capacitors across motor solder tabs as needed for electric noise suppression.



- Note In receiver connect:
1. 0 v to pin 3, 6, 9 or 12.
  2. 5V to pin 2, 5, 8 or 11.
  3. S1 to pin 4.
  4. S2 to pin 7.

RC receiver Pin out		
1	2	3
4	5	6
7	8	9
10	11	12



**Notes:**

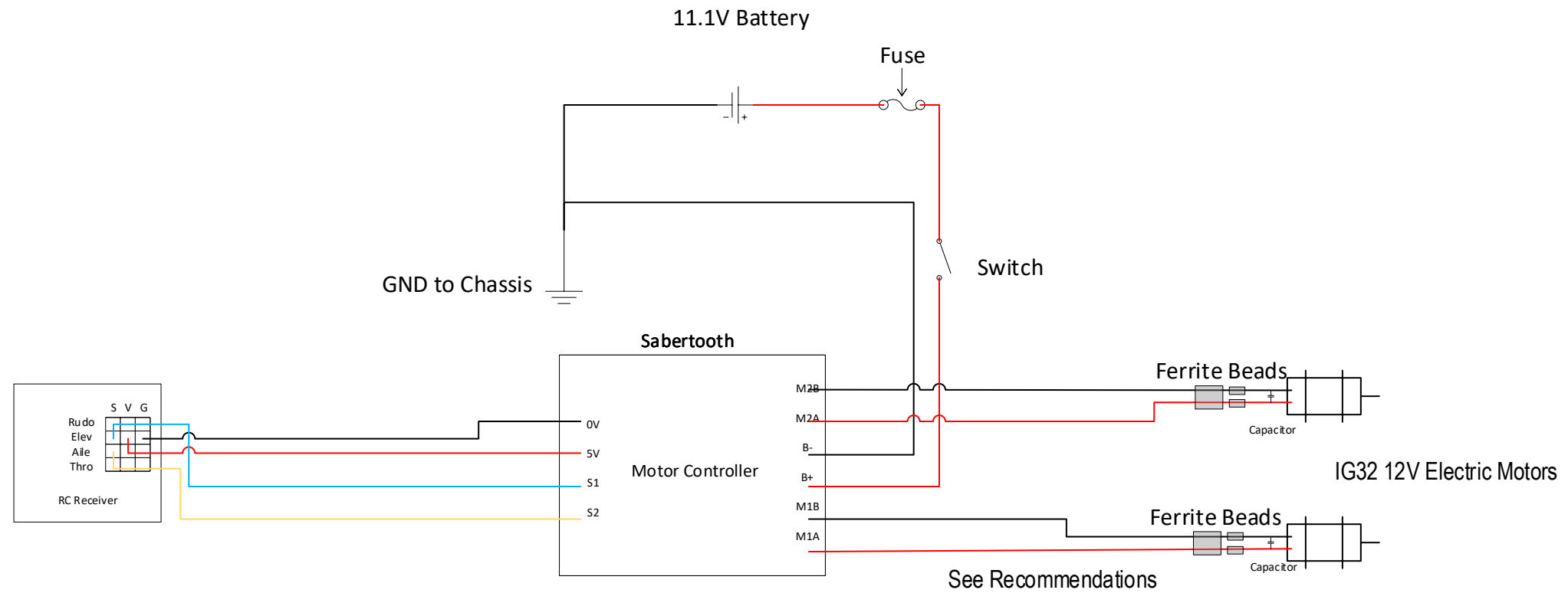
- 1. Assembly should be performed by knowledgeable and skilled individual. SuperDroid Robots offers assembly services if you are not comfortable reading schematics and performing work.
- 2. Wire gauges depend on load and size of motors.(See Recommendations)
- 3. Fuse size depends on load and size of motors.(See Recommendations)
- 4. Switch should be rated for at least the same amount of current as the fuse.
- 5. To charge batteries unplug them and use charger or run parallel wire with plug for charger.
- 6.Servo pigtail (TE-040-001) typically used. Receiver powered from motor controller (ensure motor controller rated for receiver).

**References:**

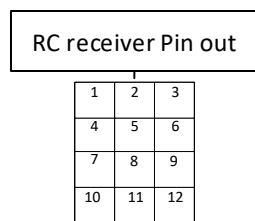
- <http://www.superdroidrobots.com/shop/category.aspx/32mm-gear-motors/76/>
- <http://www.sdrobots.com/tech-thursday-033-power-big-electric-motor/>

**Recommendations :**

- 1. Shielded wire recommended.
- 2. Use ferrite beads close to the motor to attenuate electric noise.
- 3. Install capacitors across motor solder tabs as needed for electric noise suppression.



- Note In receiver connect:
- 1. 0 v to pin 3, 6, 9 or 12.
  - 2. 5V to pin 2, 5, 8 or 11.
  - 3. S1 to pin 4.
  - 4. S2 to pin 7.

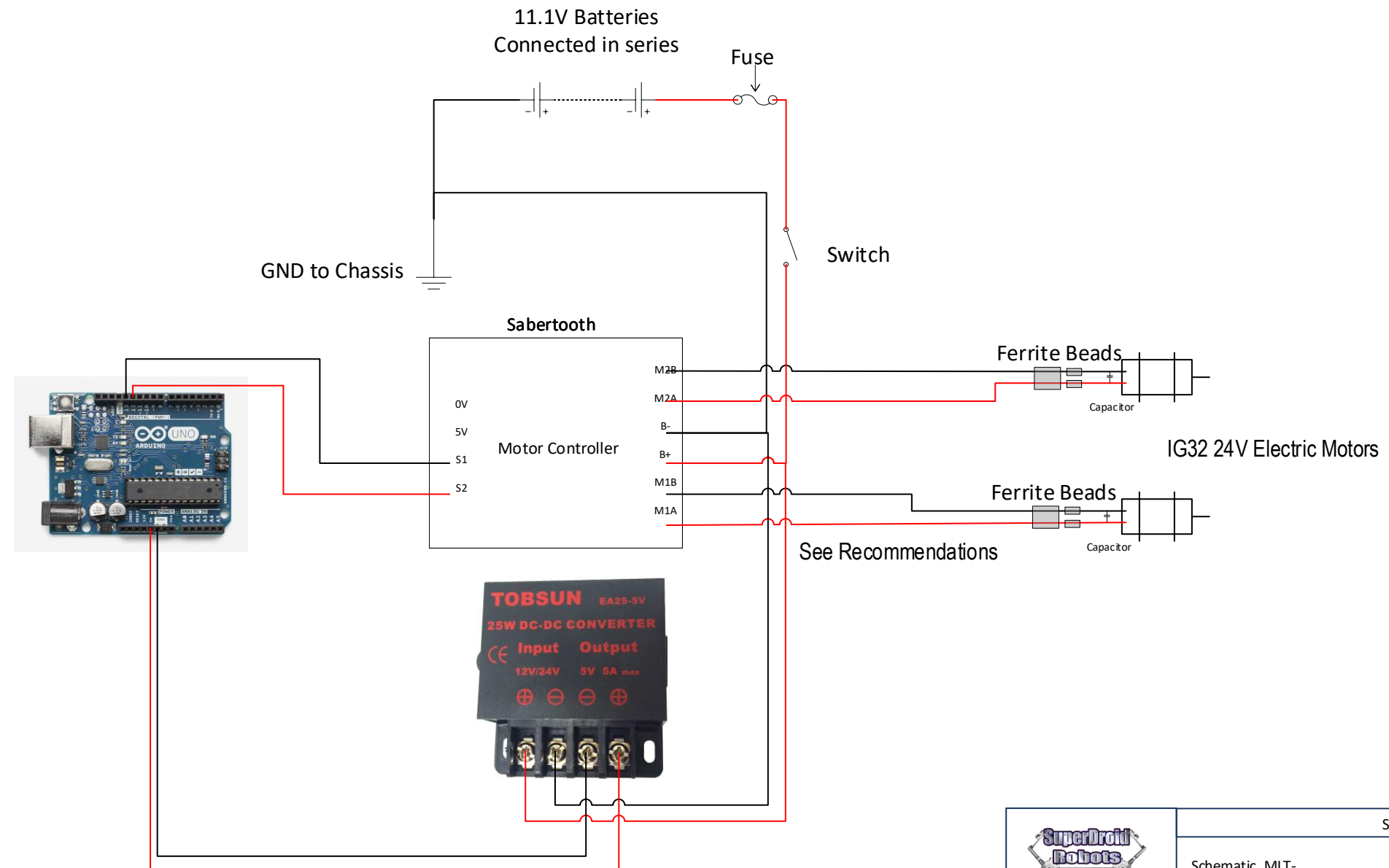


**Notes:**

1. Assembly should be performed by knowledgeable and skilled individual. SuperDroid Robots offers assembly services if you are not comfortable reading schematics and performing work.
2. Wire gauges depend on load and size of motors.(See Recommendations)
3. Fuse size depends on load and size of motors.(See Recommendations)
4. Switch should be rated for at least the same amount of current as the fuse.
5. To charge batteries unplug them and use charger or run parallel wire with plug for charger.
6. Servo pigtail (TE-040-001) typically used. Receiver powered from motor controller (ensure motor controller rated for receiver).

**References:**

- <http://www.superdroidrobots.com/shop/category.aspx/32mm-gear-motors/76/>  
<http://www.sdrobots.com/tech-thursday-033-power-big-electric-motor/>



- Note In receiver connect:
1. 0 v to pin 3, 6, 9 or 12.
  2. 5V to pin 2, 5, 8 or 11.
  3. S1 to pin 4.
  4. S2 to pin 7.

RC receiver Pin out

1	2	3
4	5	6
7	8	9
10	11	12



**Notes:**

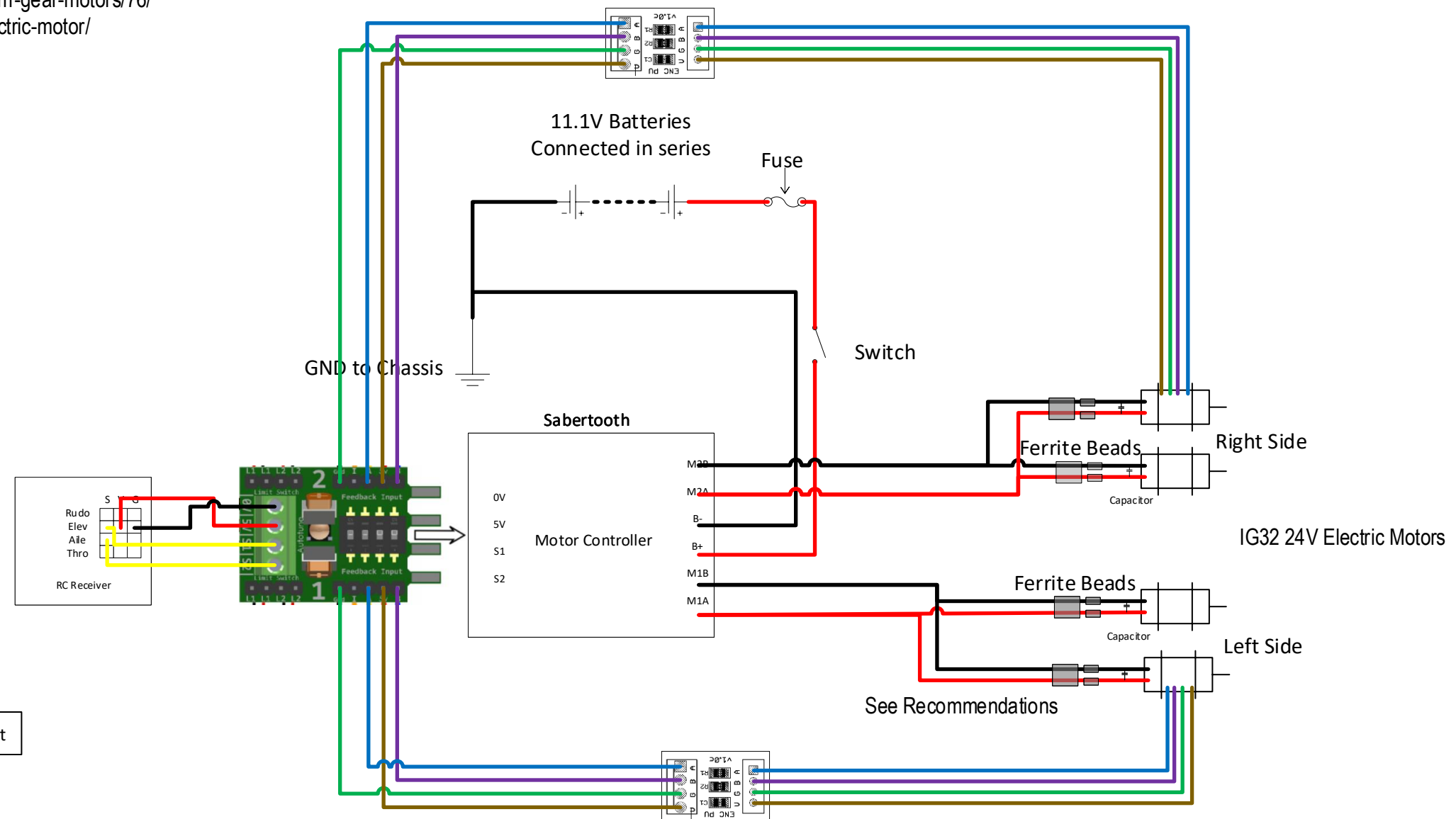
1. Assembly should be performed by knowledgeable and skilled individual. SuperDroid Robots offers assembly services if you are not comfortable reading schematics and performing work.
2. Wire gauges depend on load and size of motors.(See Recommendations)
3. Fuse size depends on load and size of motors.(See Recommendations)
4. Switch should be rated for at least the same amount of current as the fuse.
5. To charge batteries unplug them and use charger or run parallel wire with plug for charger.
6. Servo pigtail (TE-040-001) typically used. Receiver powered from motor controller (ensure motor controller rated for receiver).

**References:**

- <http://www.superdroidrobots.com/shop/category.aspx/32mm-gear-motors/76/>
- <http://www.sdrobots.com/tech-thursday-033-power-big-electric-motor/>

**References:**

- <http://www.superdroidrobots.com/shop/category.aspx/32mm-gear-motors/76/>
- <http://www.sdrobots.com/tech-thursday-033-power-big-electric-motor/>



Note In receiver connect:  
 1. 0 v to pin 3, 6, 9 or 12.  
 2. 5V to pin 2, 5, 8 or 11.  
 3. S1 to pin 4.  
 4. S2 to pin 7.

RC receiver Pin out		
1	2	3
4	5	6
7	8	9
10	11	12