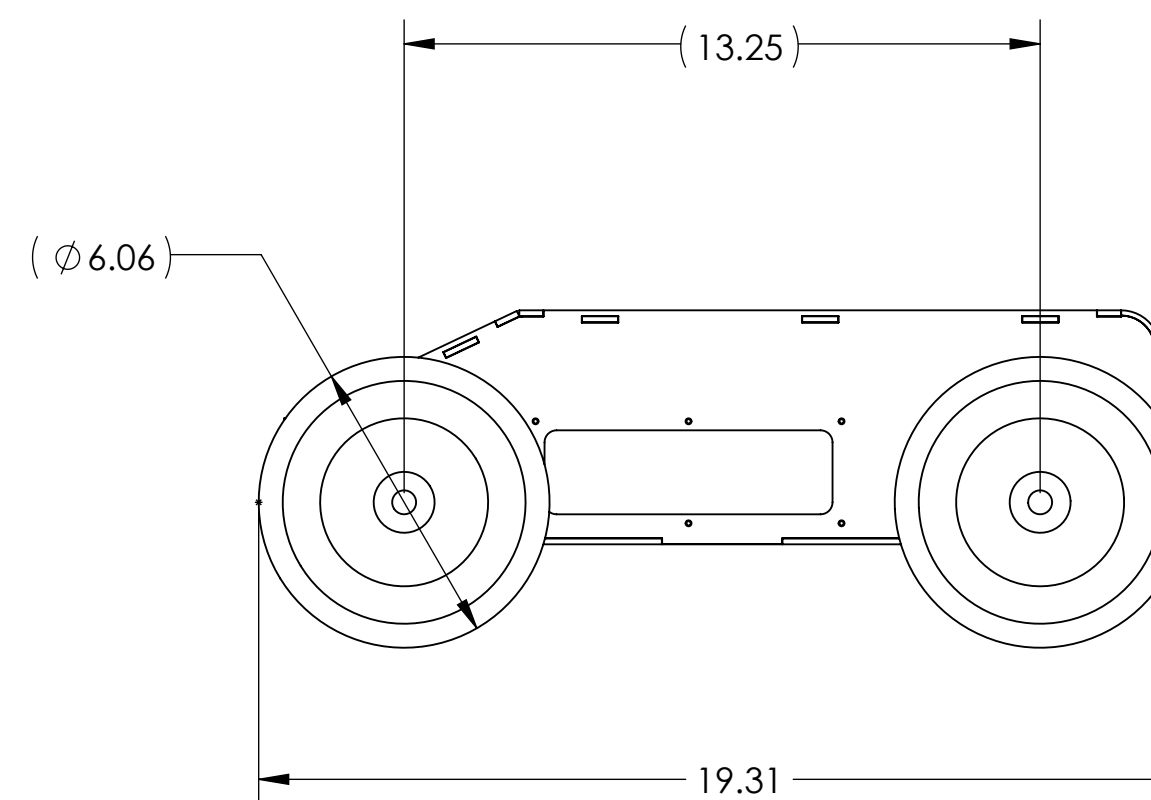
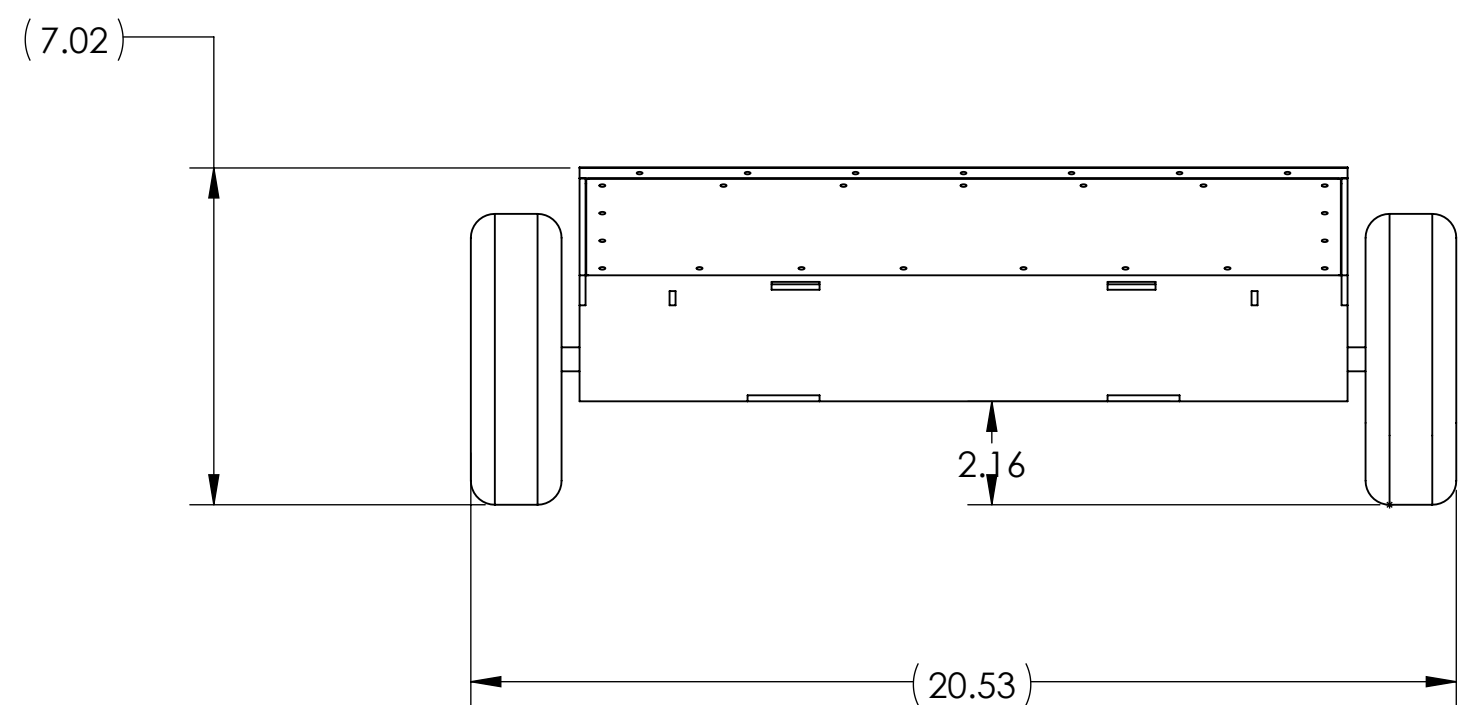
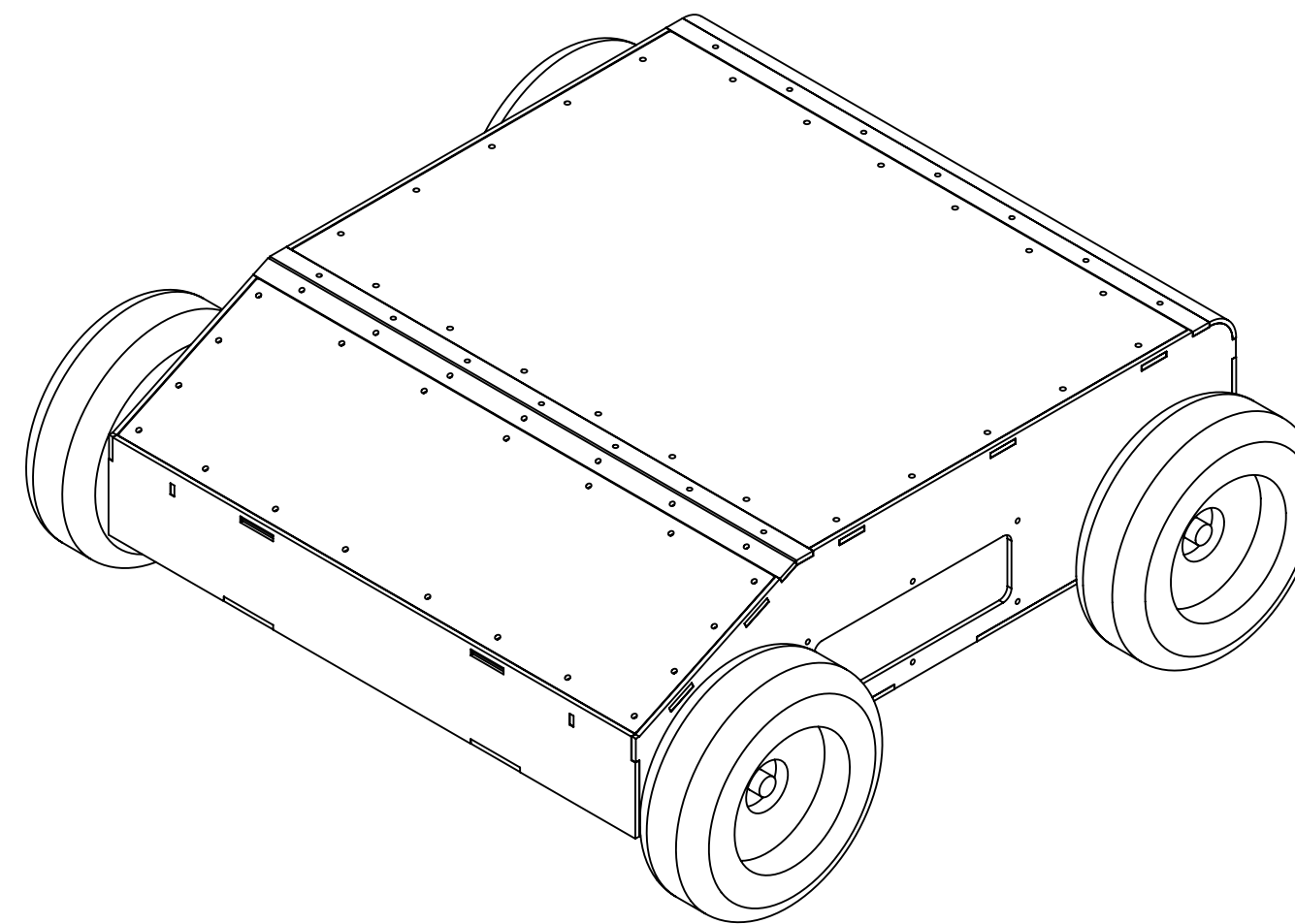
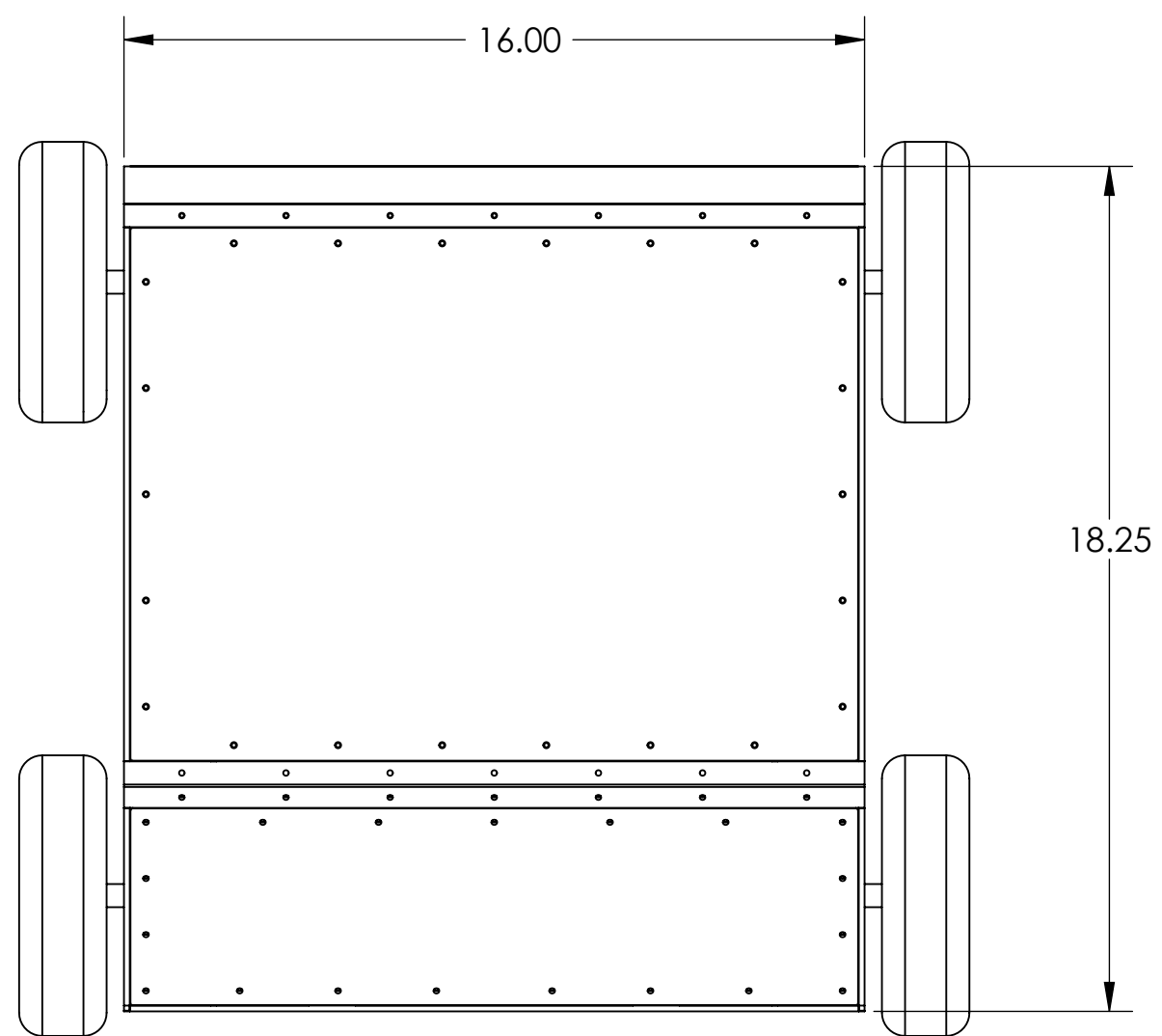


# 6 inch tire configuration



**SUPERDROID ROBOTS INC**

Ph: 919-557-9162  
Fax: 775-416-2595

**PROPRIETARY AND CONFIDENTIAL**

THE INFORMATION CONTAINED IN THIS DRAWING IS THE SOLE PROPERTY OF SUPERDROID ROBOTS INC. ANY REPRODUCTION IN PART OR AS A WHOLE WITHOUT THE WRITTEN PERMISSION OF SUPERDROID ROBOTS INC IS PROHIBITED.

UNLESS OTHERWISE SPECIFIED:  
DIMENSIONS ARE IN INCHES  
ANGULAR: 0.5 deg  
TWO PLACE DECIMAL  $\pm 0.03$   
THREE PLACE DECIMAL  $\pm 0.005$

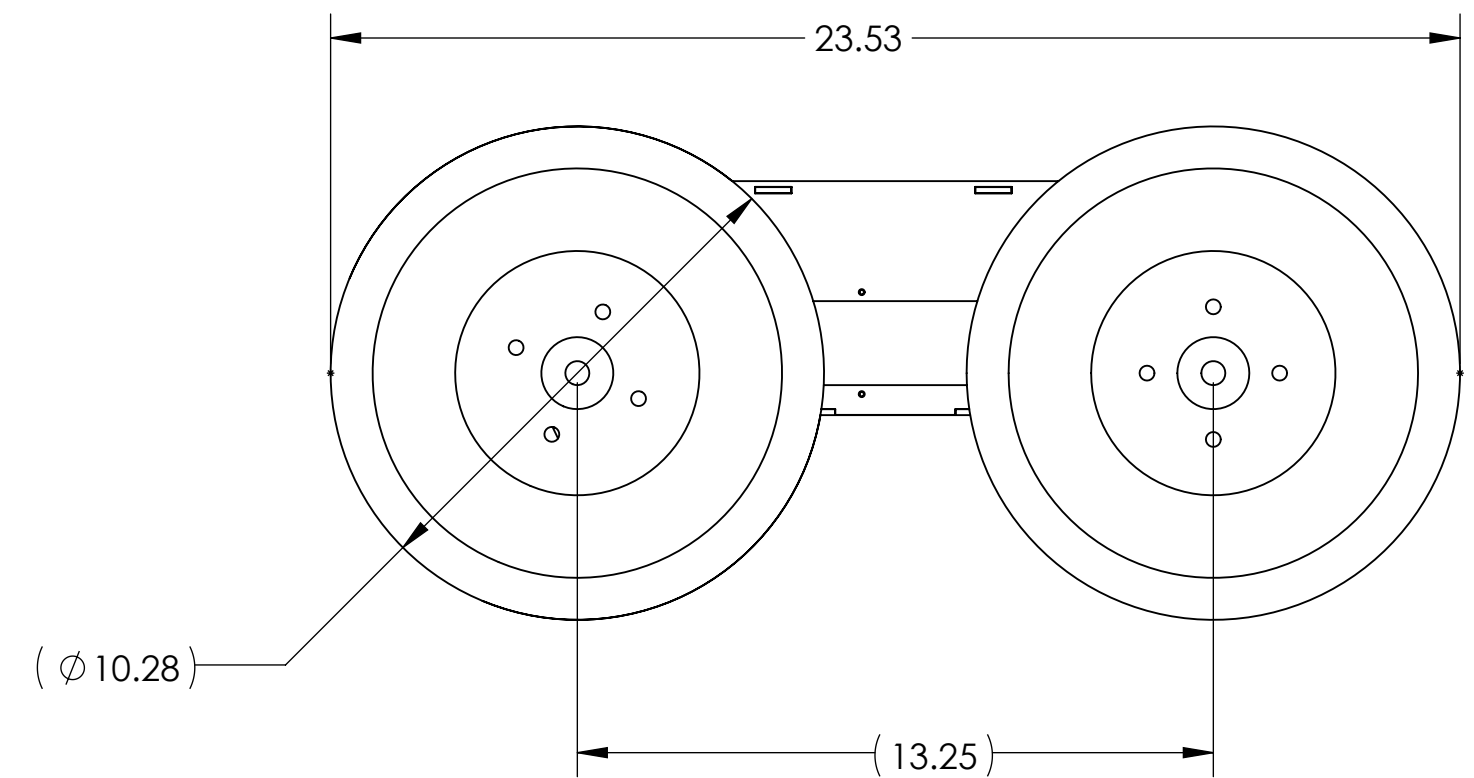
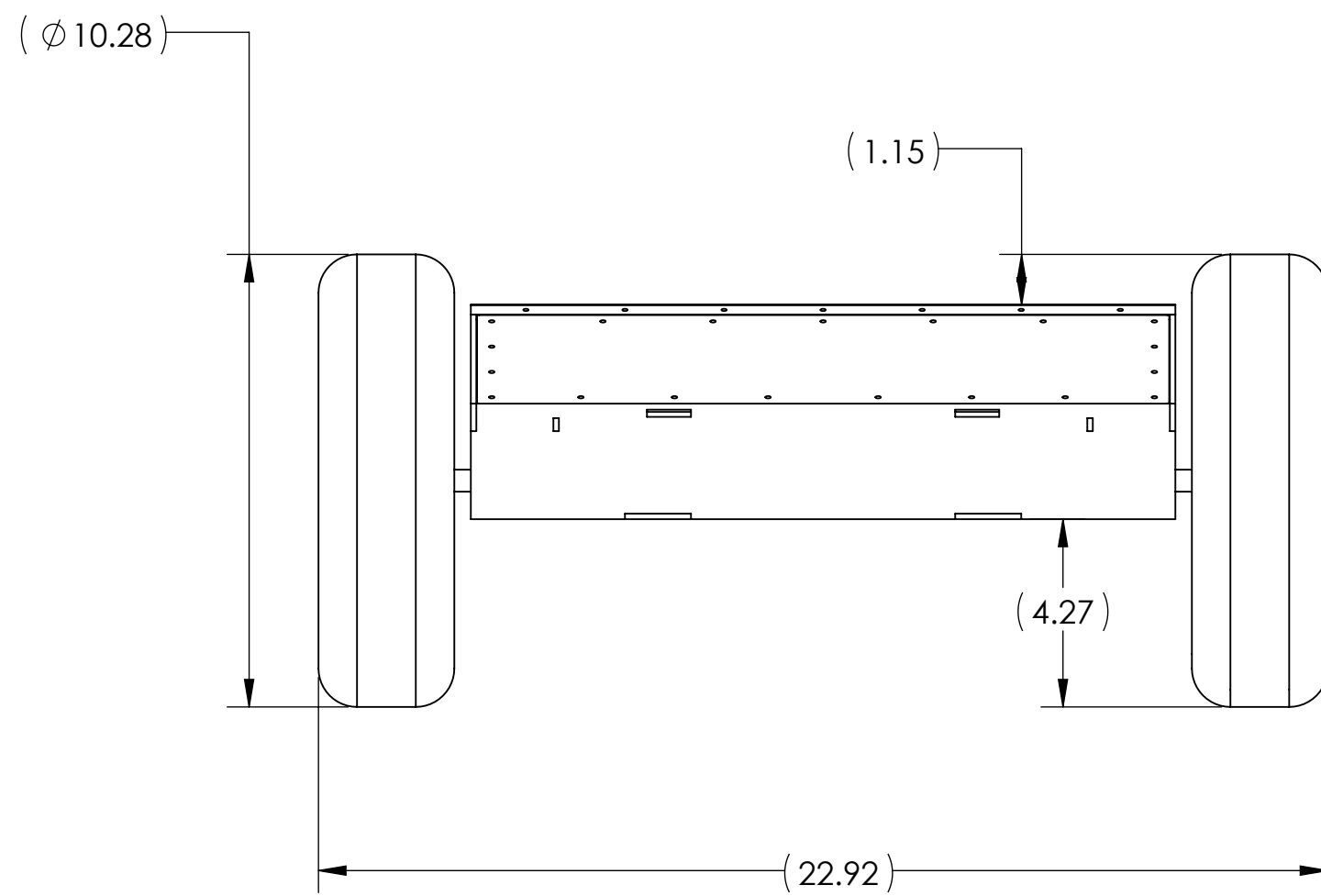
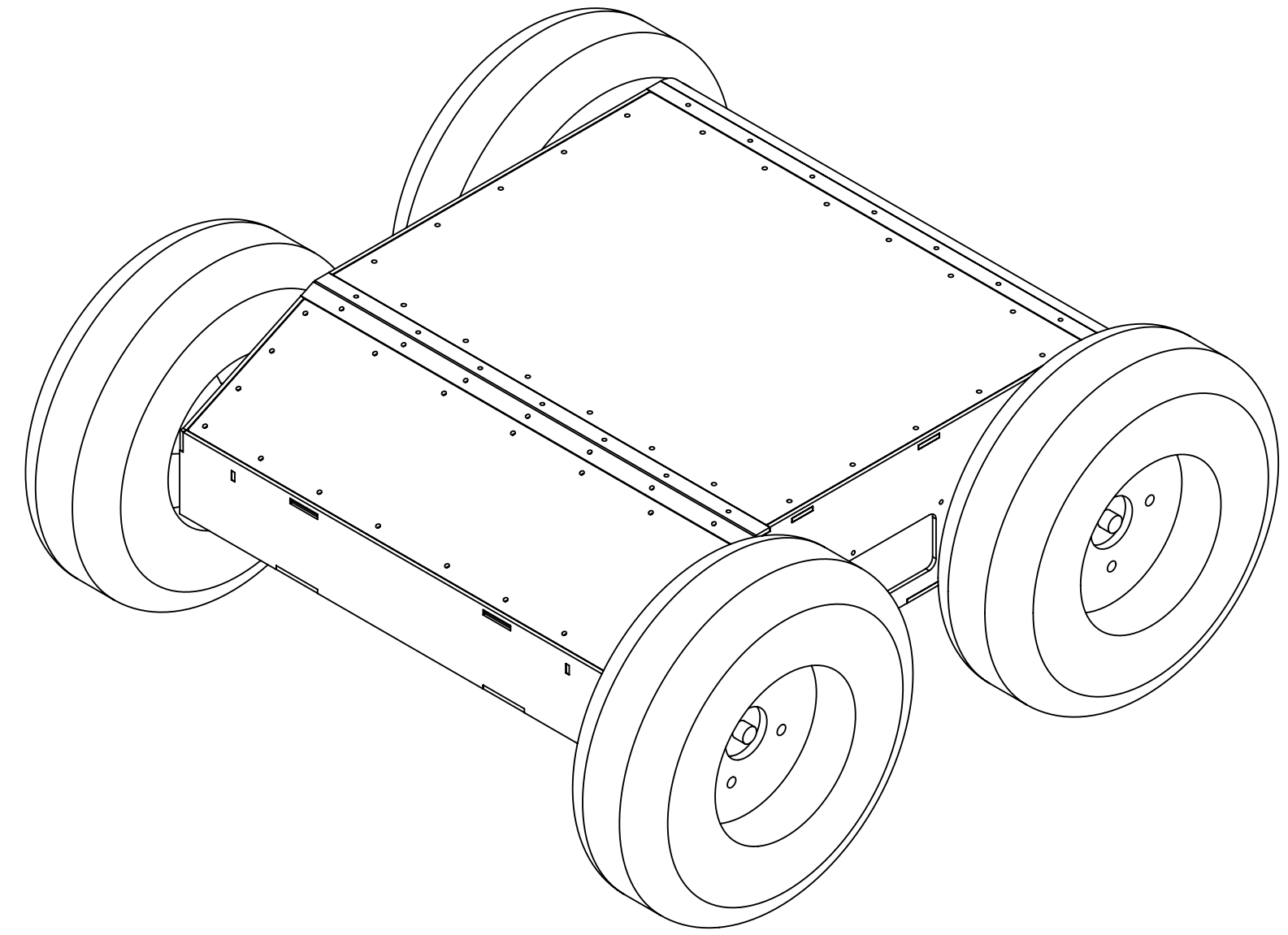
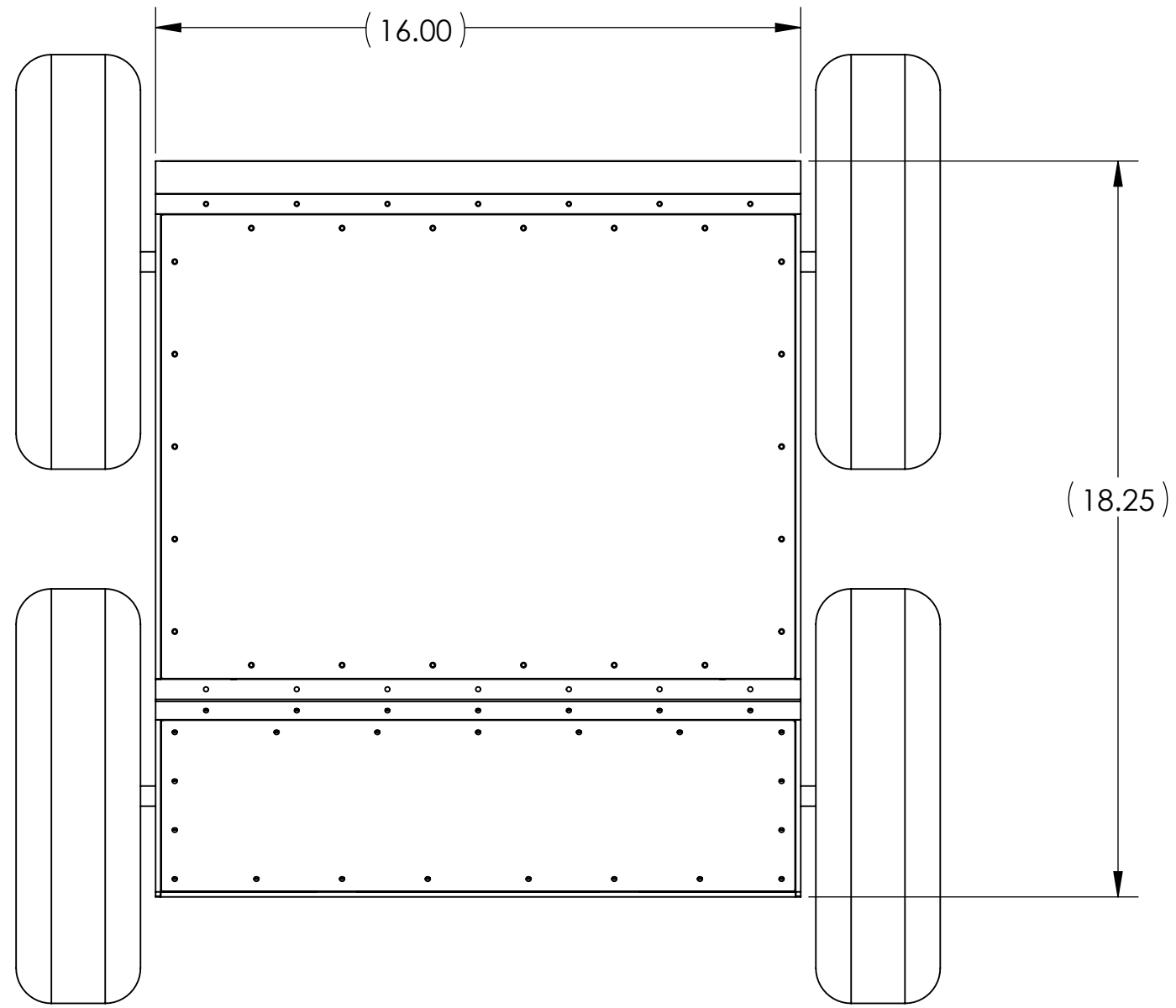
COMMENTS:  
All Dimensions are approximate and for reference only.

SIZE	DWG. NO.
<b>C</b>	SDR Enclosed ATR Assembly

REV
3/19/13

SCALE: 1:4	MATERIAL:	SHEET 1 OF 2
------------	-----------	--------------

# 10 inch tire configuration



**SUPERDROID ROBOTS INC**  
 Ph: 919-557-9162  
 Fax: 775-416-2595

**PROPRIETARY AND CONFIDENTIAL**  
 THE INFORMATION CONTAINED IN THIS DRAWING IS THE SOLE PROPERTY OF SUPERDROID ROBOTS INC. ANY REPRODUCTION IN PART OR AS A WHOLE WITHOUT THE WRITTEN PERMISSION OF SUPERDROID ROBOTS INC IS PROHIBITED.

UNLESS OTHERWISE SPECIFIED:  
 DIMENSIONS ARE IN INCHES  
 ANGULAR: 0.5 deg  
 TWO PLACE DECIMAL ±0.03  
 THREE PLACE DECIMAL ±0.005

COMMENTS:

SIZE DWG. NO.  
**C** ATR\_security

REV  
 3/19/13

SCALE: 1:4

MATERIAL:

SHEET 2 OF 2