

6 inch tire configuration

**SUPERDROID ROBOTS INC**  
 Ph: 919-557-9162  
 Fax: 775-416-2595

**PROPRIETARY AND CONFIDENTIAL**  
 THE INFORMATION CONTAINED IN THIS DRAWING IS THE SOLE  
 PROPERTY OF SUPERDROID ROBOTS INC. ANY REPRODUCTION  
 IN PART OR AS A WHOLE WITHOUT THE WRITTEN PERMISSION OF  
 SUPERDROID ROBOTS INC IS PROHIBITED.

UNLESS OTHERWISE SPECIFIED:  
 DIMENSIONS ARE IN INCHES  
 ANGULAR: 0.5 deg  
 TWO PLACE DECIMAL  $\pm 0.03$   
 THREE PLACE DECIMAL  $\pm 0.005$

COMMENTS:

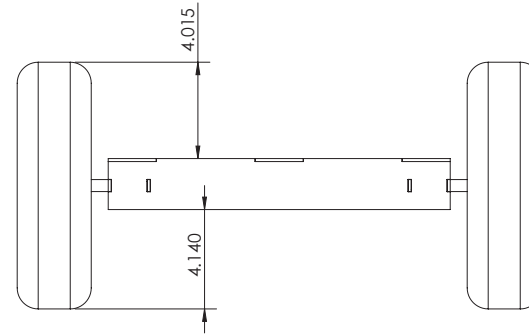
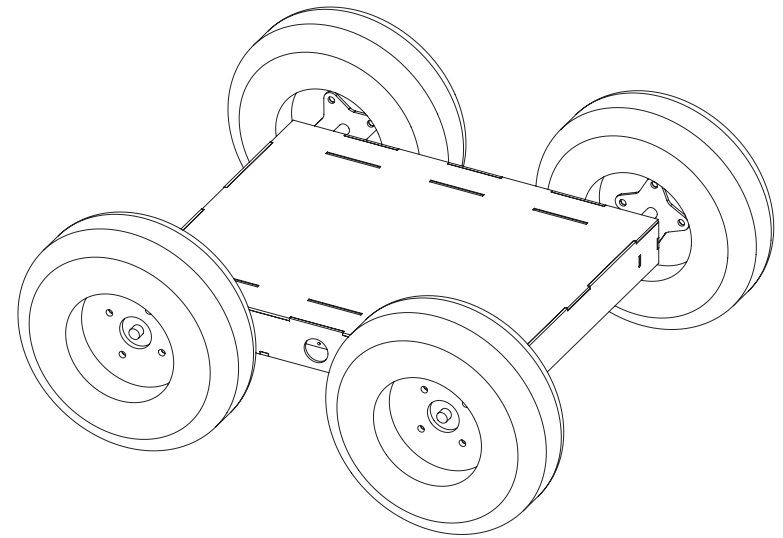
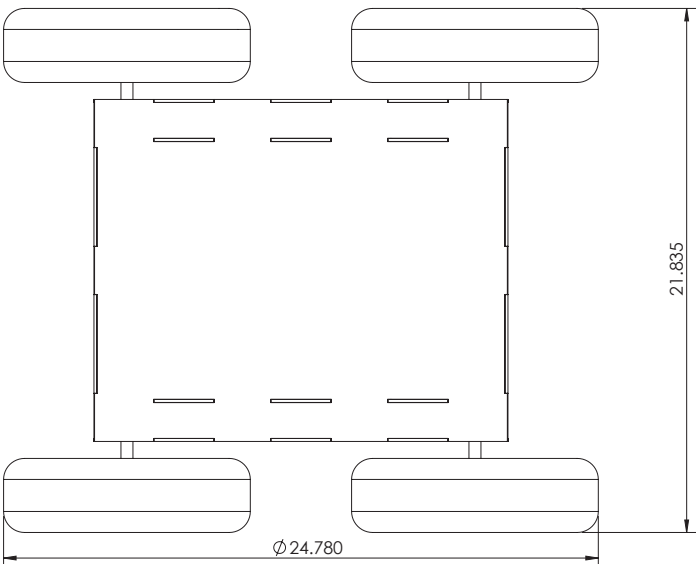
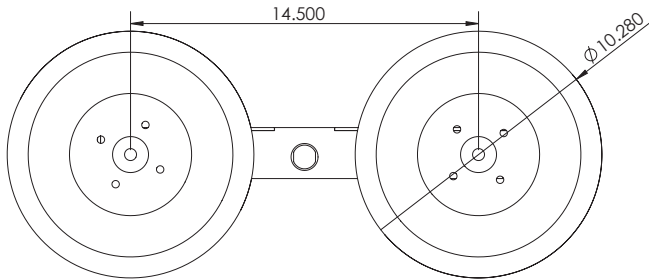
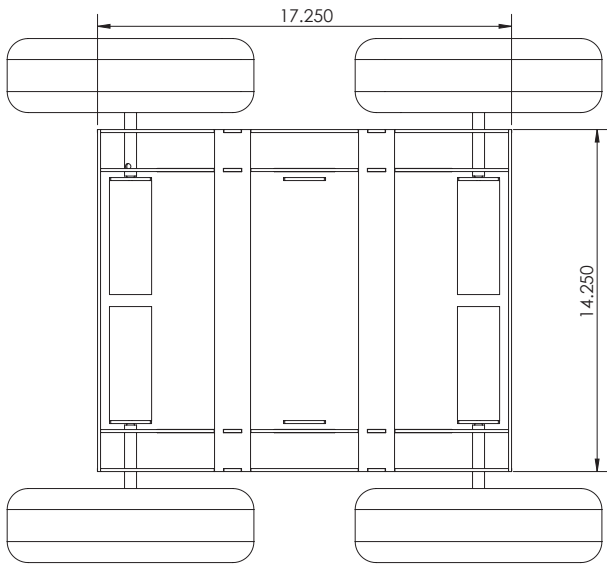
SIZE DWG. NO.  
**C** Assy\_IG42-Std

REV  
 2/26/13

SCALE: 1:4

MATERIAL:

SHEET 1 OF 3



10 inch tire configuration

**SUPERDROID ROBOTS INC**  
 Ph: 919-557-9162  
 Fax: 775-416-2595

**PROPRIETARY AND CONFIDENTIAL**  
 THE INFORMATION CONTAINED IN THIS DRAWING IS THE SOLE  
 PROPERTY OF SUPERDROID ROBOTS INC. ANY REPRODUCTION  
 IN PART OR AS A WHOLE WITHOUT THE WRITTEN PERMISSION OF  
 SUPERDROID ROBOTS INC IS PROHIBITED.

UNLESS OTHERWISE SPECIFIED:  
 DIMENSIONS ARE IN INCHES  
 ANGULAR: 0.5 deg  
 TWO PLACE DECIMAL ±0.03  
 THREE PLACE DECIMAL ±0.005

COMMENTS:

SIZE	DWG. NO.
<b>C</b>	Assy_IG42-Std

REV	2/26/13
-----	---------

SCALE: 1:4

MATERIAL:

SHEET 2 OF 3