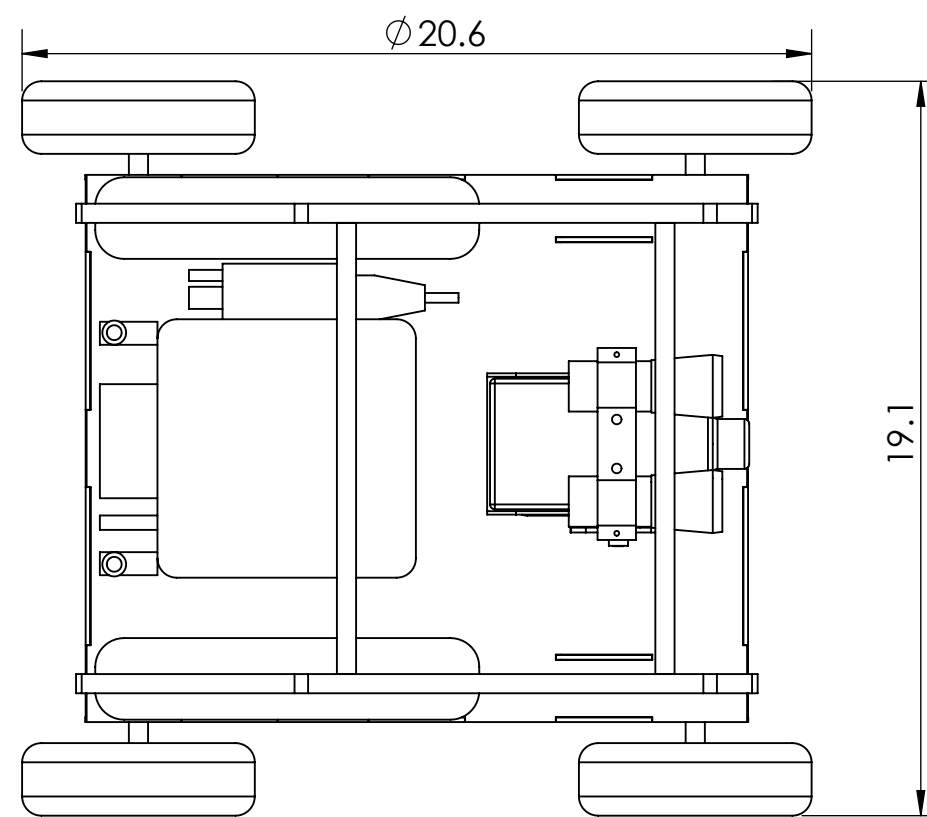
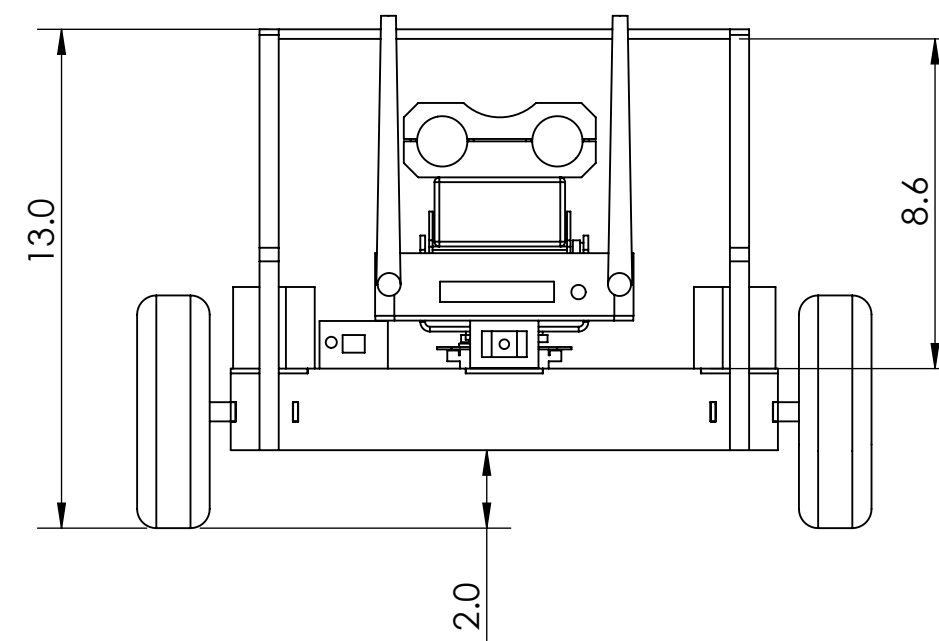
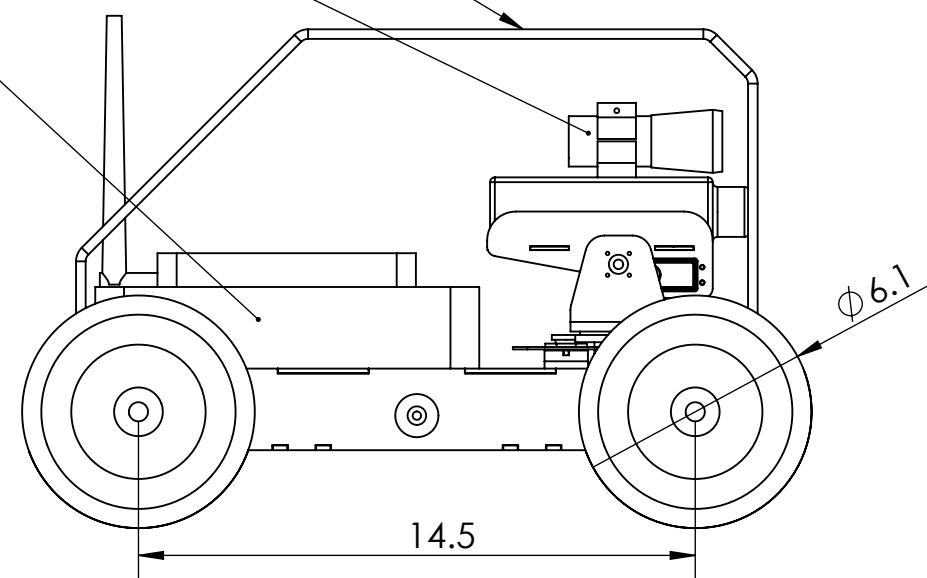


Shown with optional roll cage

Shown with optional lights

Shown with NiMH batteries, more options available



6 inch tire configuration

SUPERDROID ROBOTS INC
 Ph: 919-557-9162
 Fax: 775-416-2595

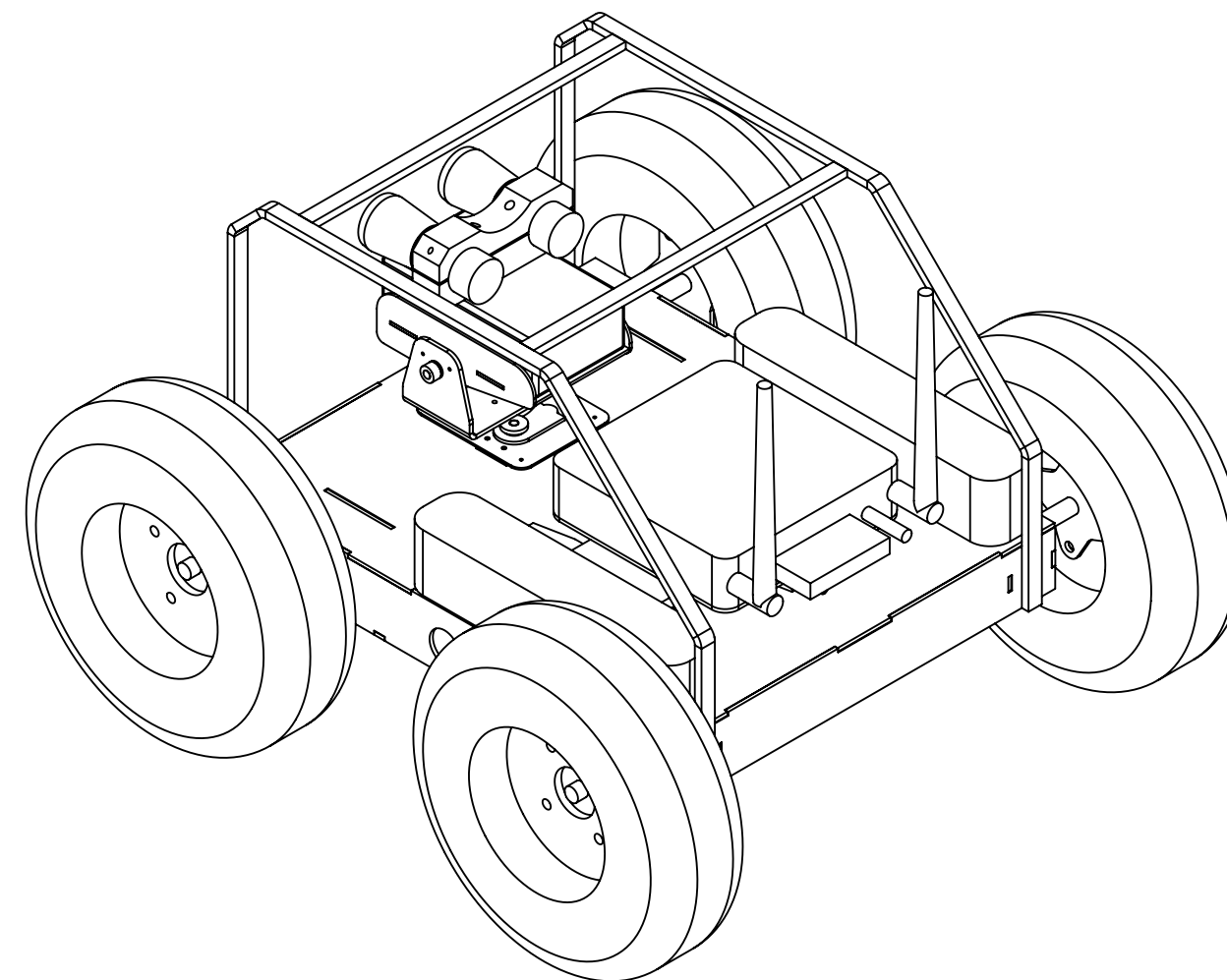
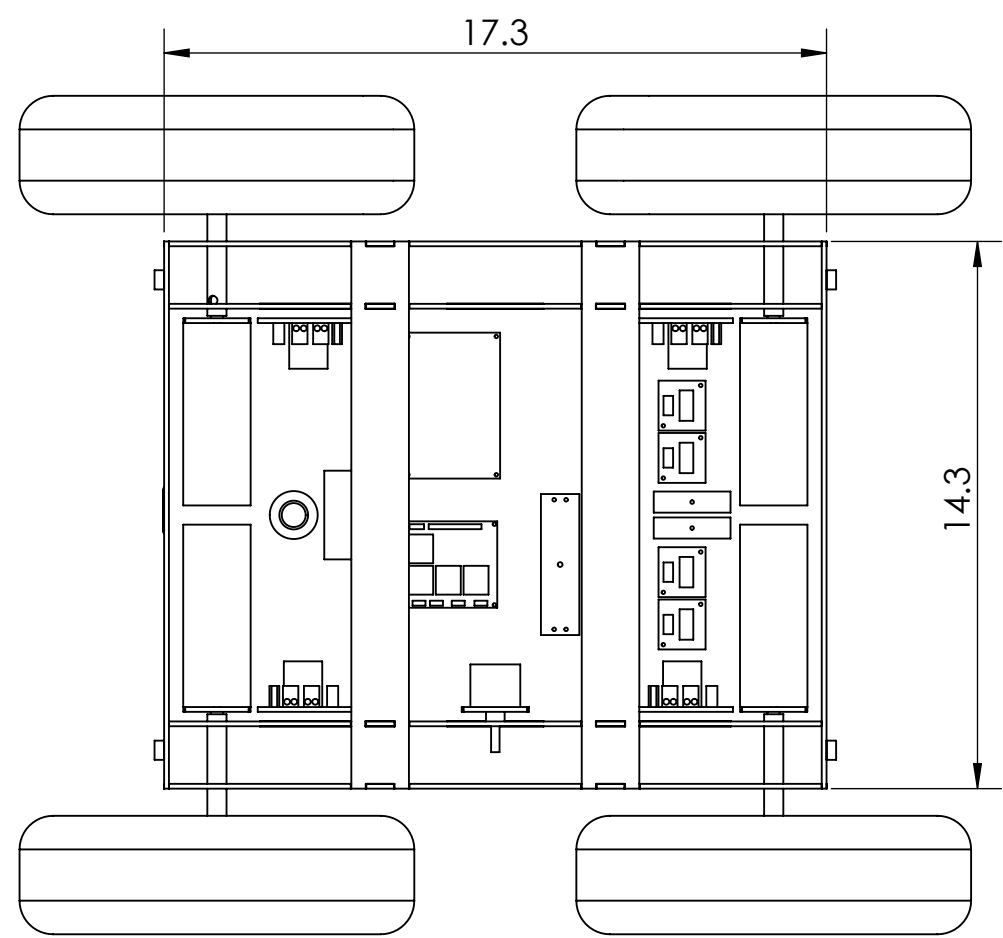
PROPRIETARY AND CONFIDENTIAL
 THE INFORMATION CONTAINED IN THIS DRAWING IS THE SOLE PROPERTY OF SUPERDROID ROBOTS INC. ANY REPRODUCTION IN PART OR AS A WHOLE WITHOUT THE WRITTEN PERMISSION OF SUPERDROID ROBOTS INC IS PROHIBITED.

UNLESS OTHERWISE SPECIFIED:
 DIMENSIONS ARE IN INCHES
 ANGULAR: 0.5 deg
 TWO PLACE DECIMAL ±0.03
 THREE PLACE DECIMAL ±0.005

COMMENTS:

SIZE	DWG. NO.	REV
C	Assy_IG42_Std_WiFi	4/10/13
SCALE: 1:5	MATERIAL:	

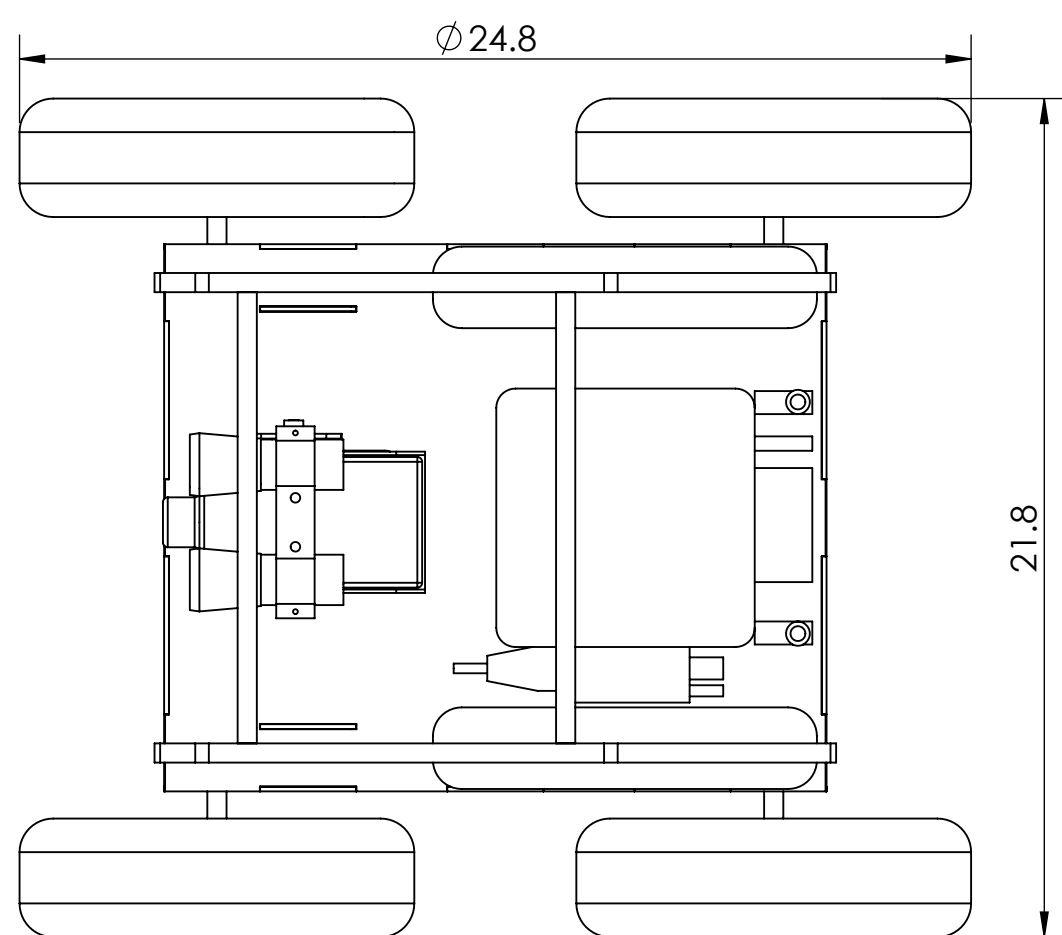
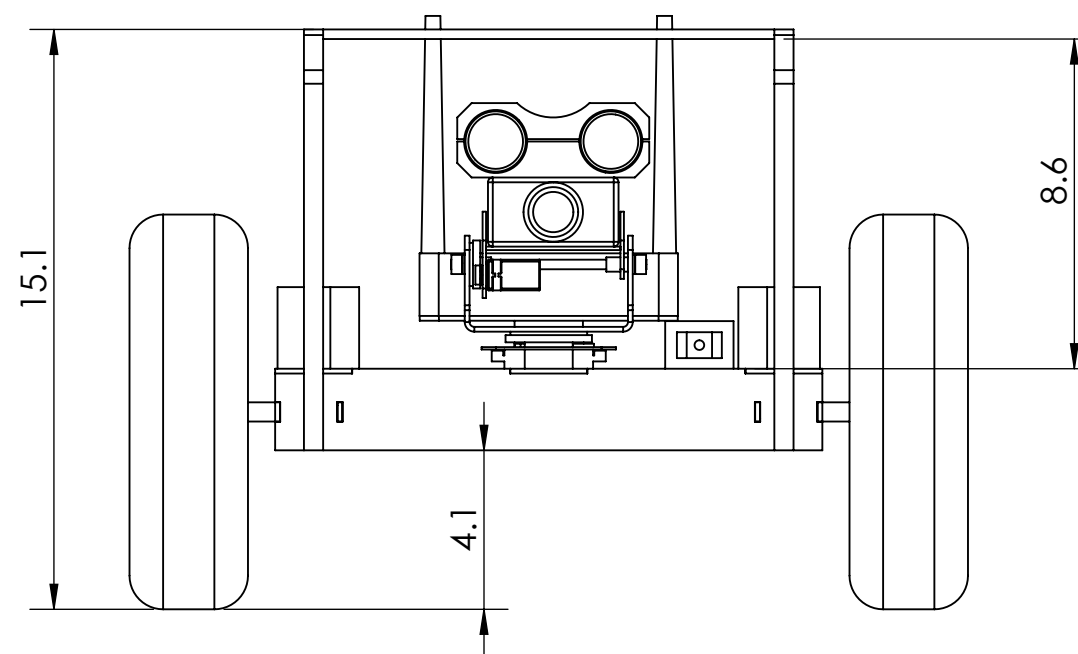
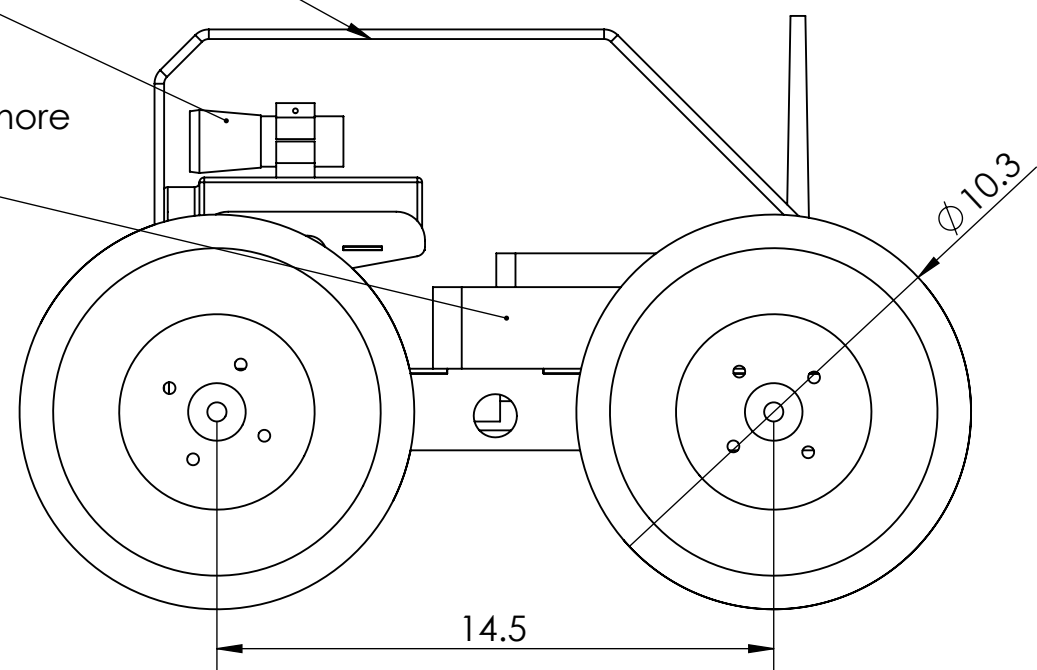
SHEET 1 OF 2



Shown with optional roll cage

Shown with optional lights

Shown with NiMH batteries, more options available



10 inch tire configuration

SUPERDROID ROBOTS INC

Ph: 919-557-9162
Fax: 775-416-2595

PROPRIETARY AND CONFIDENTIAL

THE INFORMATION CONTAINED IN THIS DRAWING IS THE SOLE PROPERTY OF SUPERDROID ROBOTS INC. ANY REPRODUCTION IN PART OR AS A WHOLE WITHOUT THE WRITTEN PERMISSION OF SUPERDROID ROBOTS INC IS PROHIBITED.

UNLESS OTHERWISE SPECIFIED:
DIMENSIONS ARE IN INCHES
ANGULAR: 0.5 deg
TWO PLACE DECIMAL ± 0.03
THREE PLACE DECIMAL ± 0.005

COMMENTS:

SIZE DWG. NO.

C Assy_IG42_Std_WiFi

REV

4/10/13

SCALE: 1:5

MATERIAL:

SHEET 2 OF 2