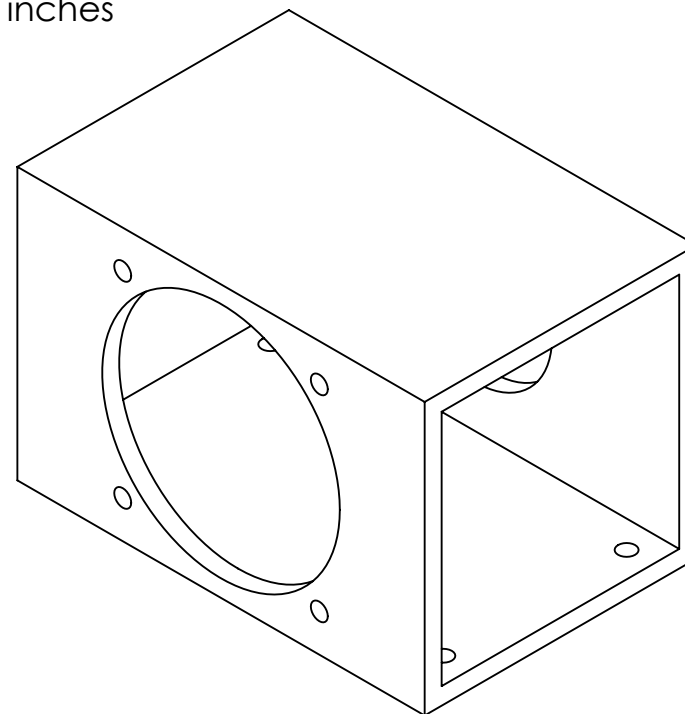
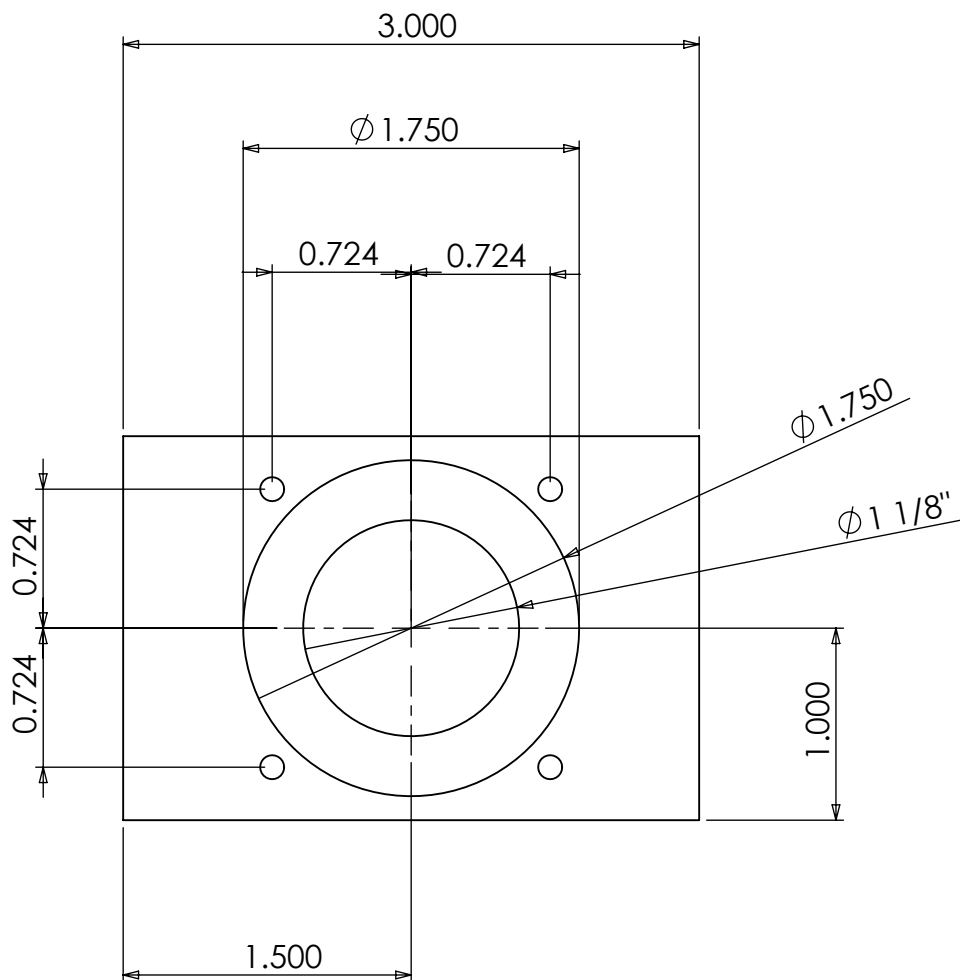


For double motor sides Total Length = Center to Center Length + 3.00 inches
 Each motor 1.50" from edge of tube

SDR standard length is 21 inches 18" center to center



SUPERDROID ROBOTS INC

Ph: 919-557-9162
 Fax: 775-416-2595

PROPRIETARY AND CONFIDENTIAL

THE INFORMATION CONTAINED IN THIS DRAWING IS THE SOLE PROPERTY OF SUPERDROID ROBOTS INC. ANY REPRODUCTION IN PART OR AS A WHOLE WITHOUT THE WRITTEN PERMISSION OF SUPERDROID ROBOTS INC IS PROHIBITED.

UNLESS OTHERWISE SPECIFIED:
 DIMENSIONS ARE IN INCHES
 ANGULAR: 0.5 deg
 TWO PLACE DECIMAL ±0.03
 THREE PLACE DECIMAL ±0.005

SIZE
A

DWG. NO.

IG42_motor_mount_box_tubing

REV

6/20/2010

SCALE: 1:1

MATERIAL:

2x2x1/8" wall Aluminum Tube

SHEET 1 OF 3