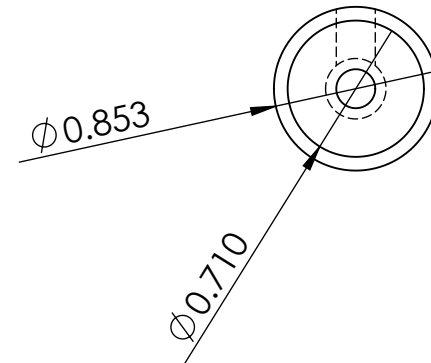
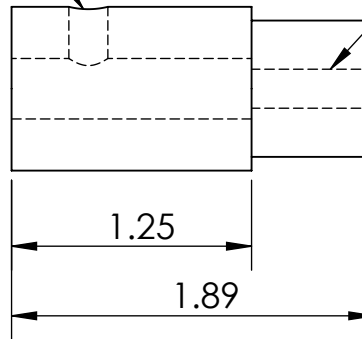
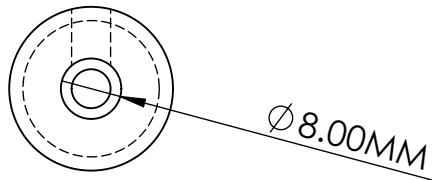


1/4-20 SET SCREW HOLE

1/4-20 TAPPED HOLE



SUPERDROID ROBOTS INC

Ph: 919-557-9162  
Fax: 775-416-2595

**PROPRIETARY AND CONFIDENTIAL**

THE INFORMATION CONTAINED IN THIS DRAWING IS THE SOLE PROPERTY OF SUPERDROID ROBOTS INC. ANY REPRODUCTION IN PART OR AS A WHOLE WITHOUT THE WRITTEN PERMISSION OF SUPERDROID ROBOTS INC IS PROHIBITED.

UNLESS OTHERWISE SPECIFIED:  
DIMENSIONS ARE IN INCHES  
ANGULAR: 0.5 deg  
TWO PLACE DECIMAL  $\pm 0.03$   
THREE PLACE DECIMAL  $\pm 0.005$

SIZE  
**A**

DWG. NO.  
Mecanum-shaft

REV  
4/7/17

SCALE: 1:1 MATERIAL: CARBON STEEL OR STAINLESS

SHEET 3 OF 3