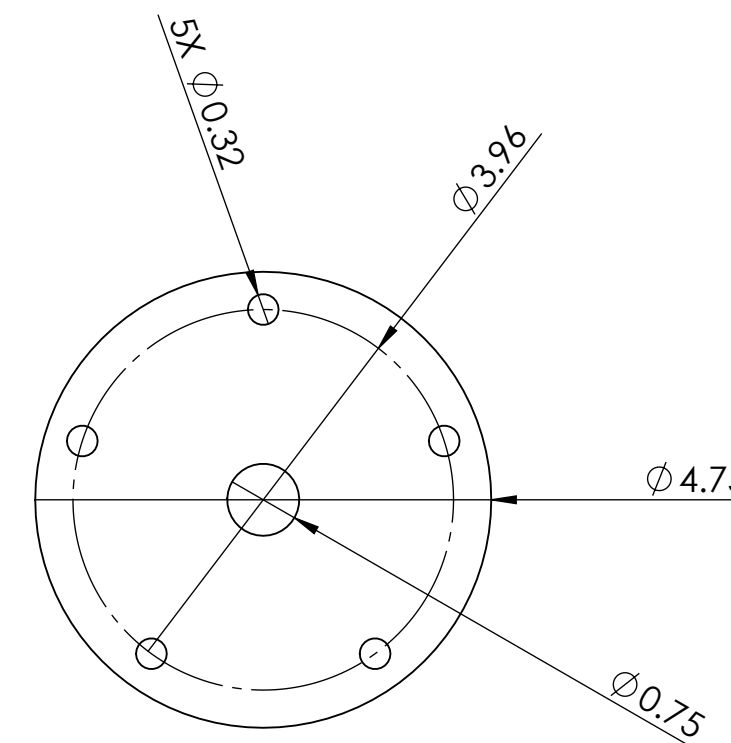
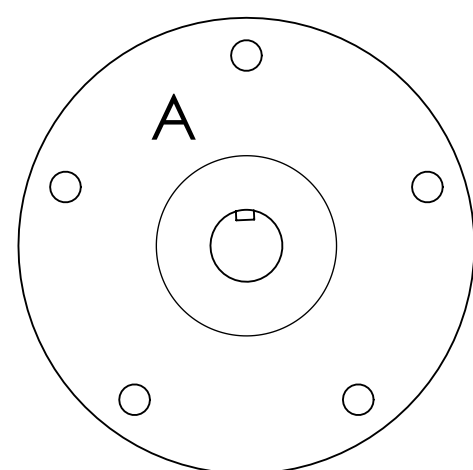
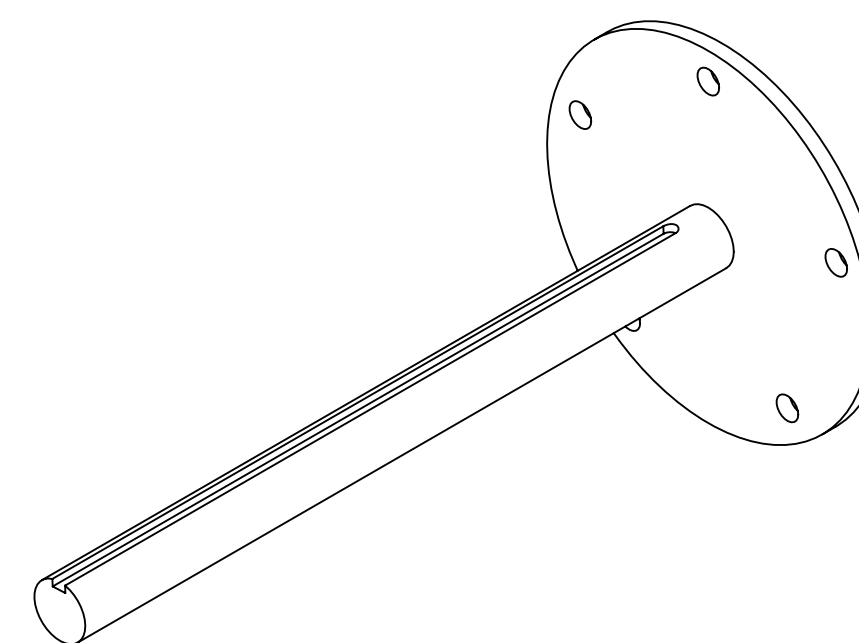
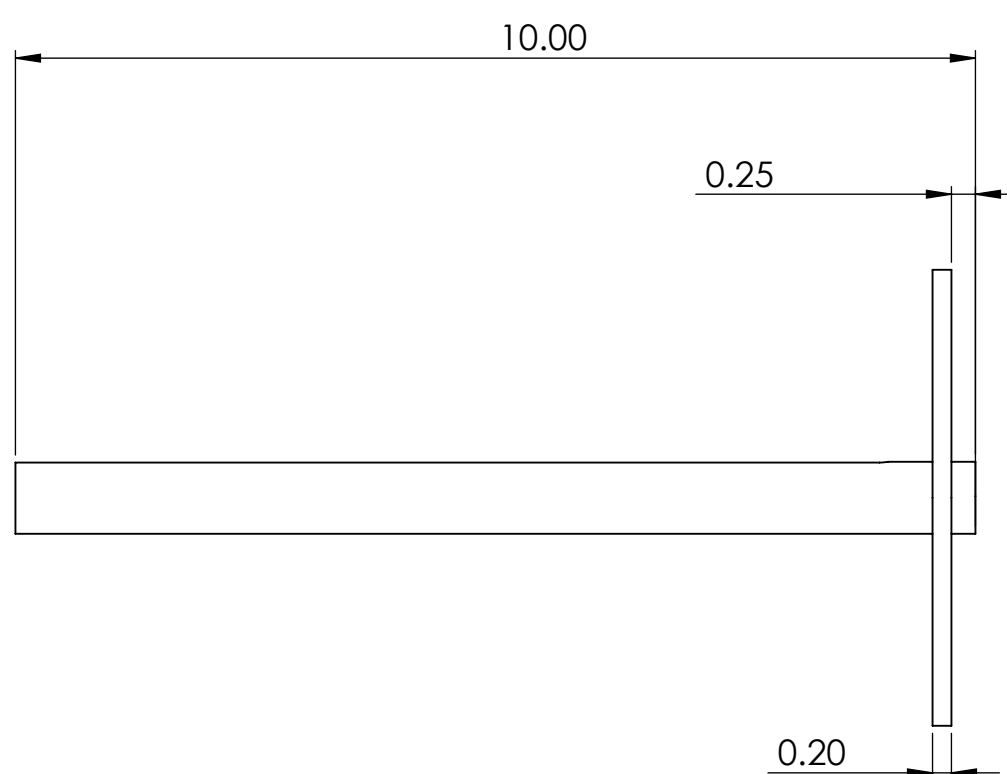
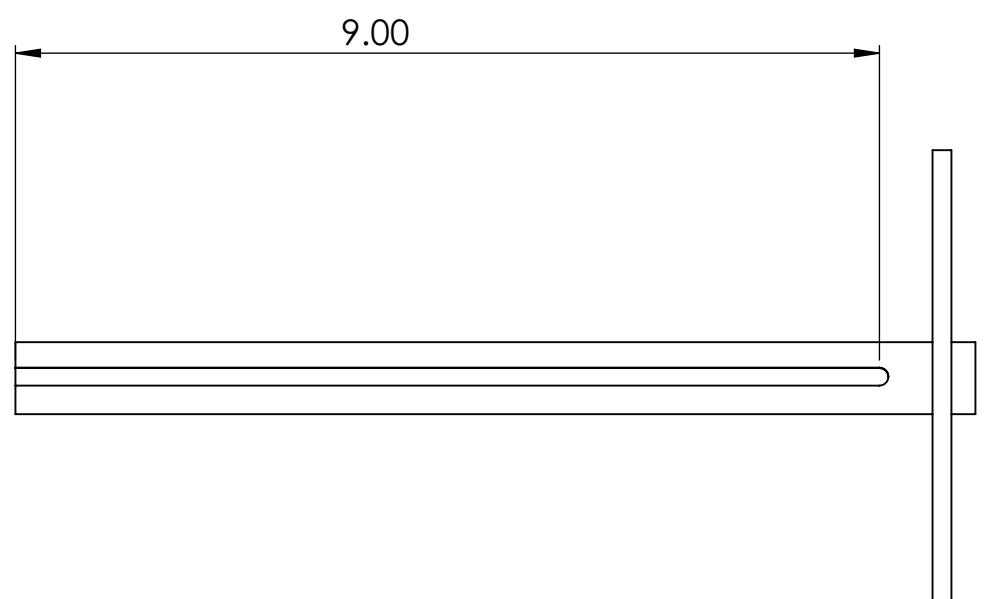


DETAIL A
SCALE 3 : 2



SUPERDROID ROBOTS INC

Ph: 919-557-9162
Fax: 775-416-2595

PROPRIETARY AND CONFIDENTIAL

THE INFORMATION CONTAINED IN THIS DRAWING IS THE SOLE PROPERTY OF SUPERDROID ROBOTS INC. ANY REPRODUCTION IN PART OR AS A WHOLE WITHOUT THE WRITTEN PERMISSION OF SUPERDROID ROBOTS INC IS PROHIBITED.

UNLESS OTHERWISE SPECIFIED:
DIMENSIONS ARE IN INCHES
ANGULAR: 0.5 deg
TWO PLACE DECIMAL ±0.03
THREE PLACE DECIMAL ±0.005

COMMENTS:

SIZE

C

DWG. NO.

13_INCH_TILLER_TIRE_SHAFT_HUB_ASSY

REV

10-26-15

SCALE: 1:2

MATERIAL: CARBON STEEL

SHEET 1 OF 1