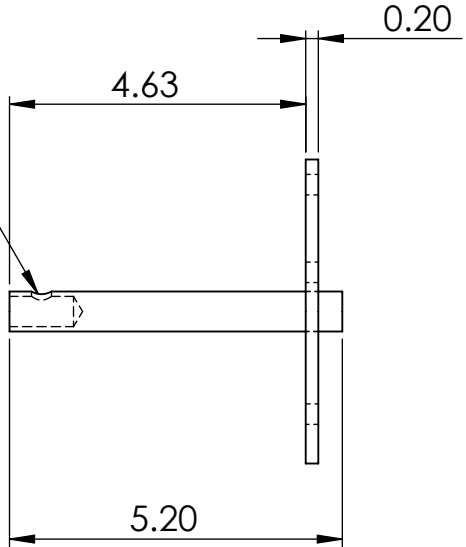


1/4-20 SET SCREW



**SUPERDROID ROBOTS INC**

Ph: 919-557-9162  
Fax: 775-416-2595

**PROPRIETARY AND CONFIDENTIAL**  
THE INFORMATION CONTAINED IN THIS DRAWING IS THE SOLE PROPERTY OF SUPERDROID ROBOTS INC. ANY REPRODUCTION IN PART OR AS A WHOLE WITHOUT THE WRITTEN PERMISSION OF SUPERDROID ROBOTS INC IS PROHIBITED.

UNLESS OTHERWISE SPECIFIED:  
DIMENSIONS ARE IN INCHES  
ANGULAR: 0.5 deg  
TWO PLACE DECIMAL ±0.03  
THREE PLACE DECIMAL ±0.005

SIZE <b>A</b>	DWG. NO. 13_inch_tiller_tire_.625_inch_shaft_12mm_bore	REV 4/7/17
SCALE: 1:3	MATERIAL: CARBON STEEL	SHEET 1 OF 1