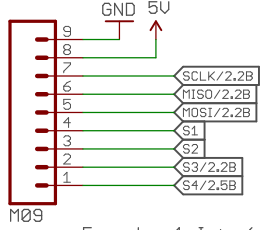
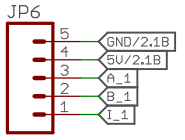


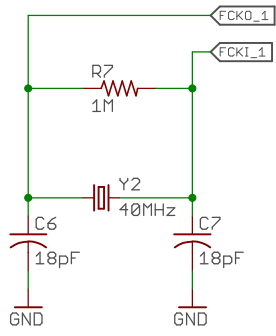
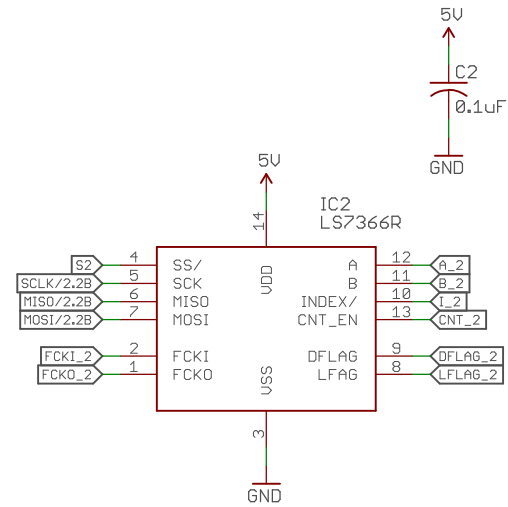
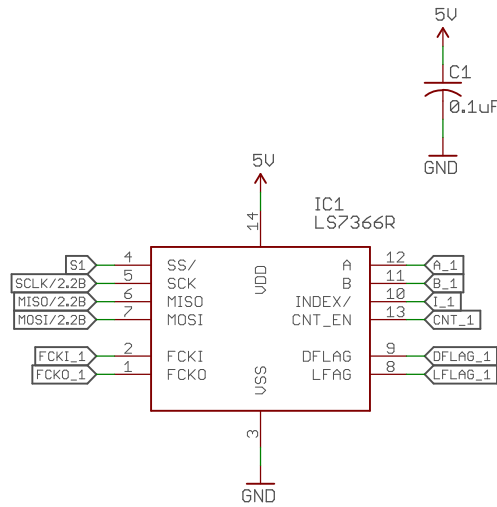
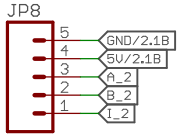
SPI Interface
JP14



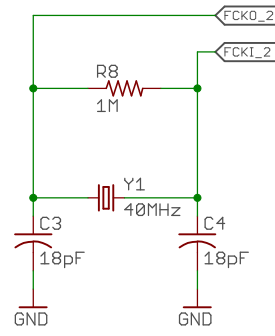
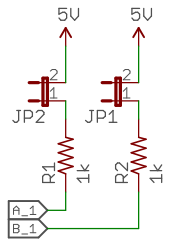
M09 Encoder 1 Interface



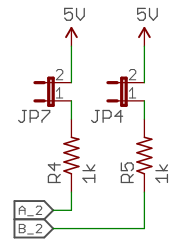
Encoder 2 Interface



Solder Jumpers for Encoder 1



Solder Jumpers for Encoder 2



○ ○

See the below link for additional product information.
<https://www.superdroidrobots.com/shop/item.aspx/quadruple-ls7366r-quadrature-encoder-buffer/2418/>
 For example code, please see:
<https://github.com/SuperDroidRobots>

SuperDroid Robots™	
TITLE: Quad Encoder_Breakout_1_0	
Design by: A. Diaz	REV: 1.0a
Date: 6/27/2017 10:28 AM	Sheet: 1/2

1

2

3

4

5

6

A

B

C

D

E

A

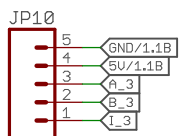
B

C

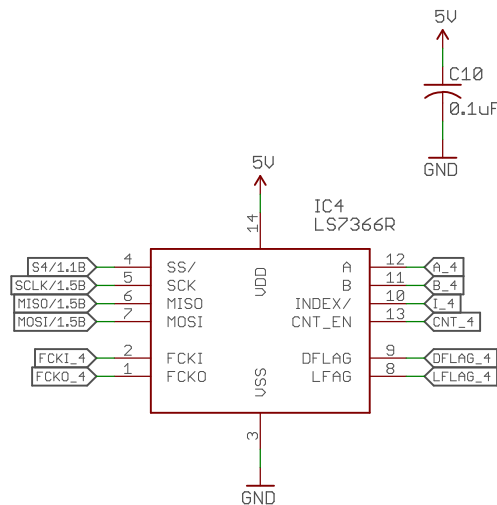
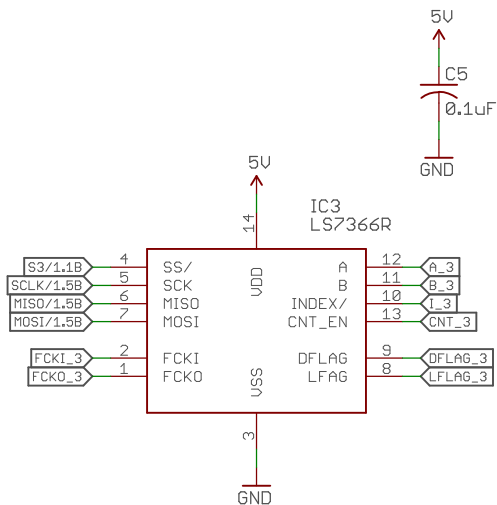
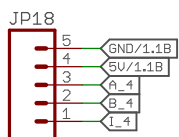
D

E

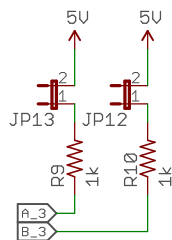
Encoder 3 Interface



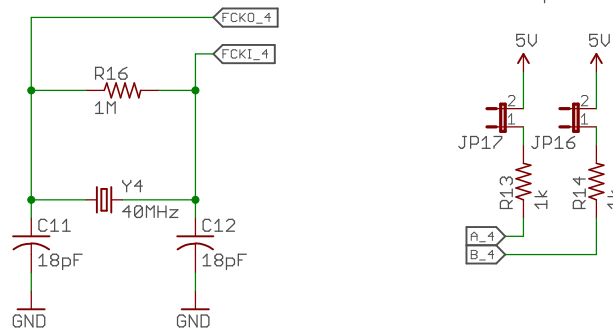
Encoder 4 Interface



Solder Jumpers for Encoder 3



Solder Jumpers for Encoder 4



○ ○

SuperDroid Robots™

TITLE: Quad Encoder_Breakout_1_0

Design by:
A. Diaz

REV:
1.0a

Date: 6/27/2017 10:28 AM

Sheet: 2/2

See the below link for additional product information.
<https://www.superdroidrobots.com/shop/item.aspx/quadruple-ls7366r-quadrature-encoder-buffer/2418/>

For example code, please see:
<https://github.com/SuperDroidRobots>