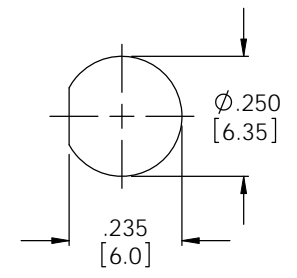
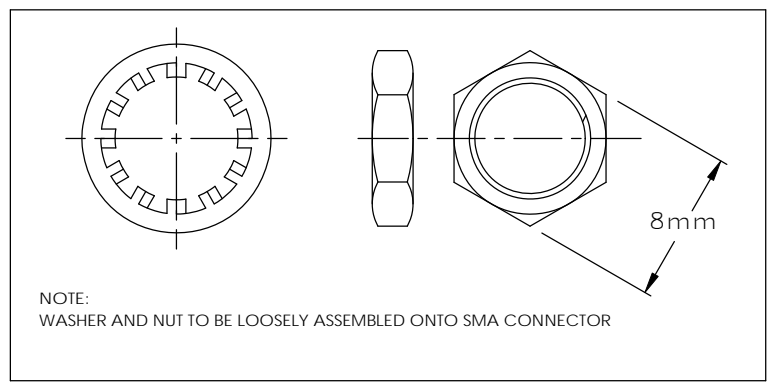
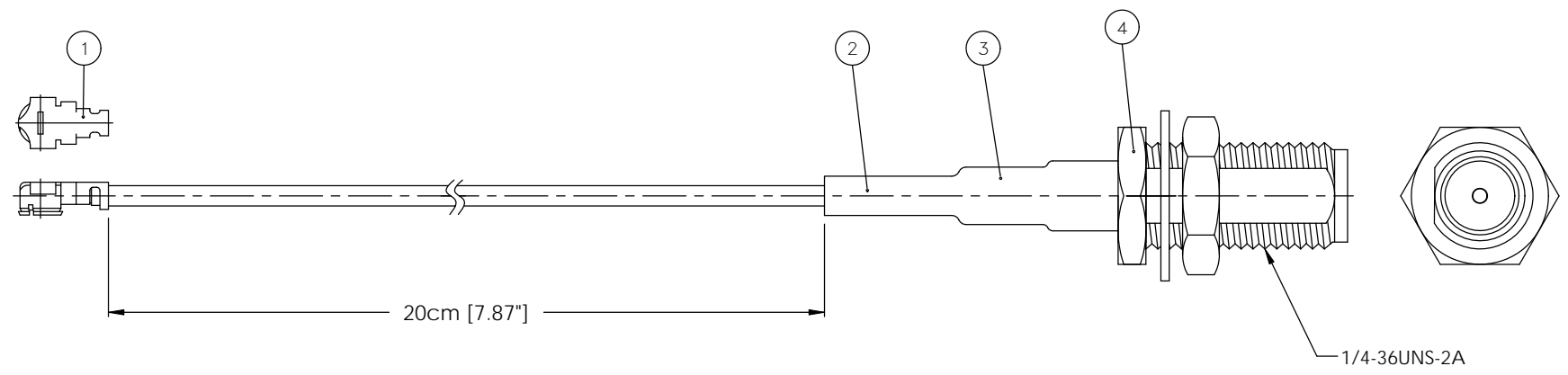


THE INFORMATION CONTAINED IN THIS DRAWING IS THE SOLE PROPERTY OF L-COM, INC. ANY REPRODUCTION IN PART OR WHOLE WITHOUT THE WRITTEN PERMISSION OF L-COM, INC. IS PROHIBITED.

REVISIONS			
REV	DESCRIPTION	DATE	APPROVED
A	Initial Release	2/24/10	B.Puchaski
B	Added Notes, Corrected Description.#4 ECN# 4757	5/18/10	B.Puchaski

No#	DESCRIPTION	Qty	MATERIAL
1	U.FL Connector	1	--
2	Ø 1.13 mm Cable	1	--
3	Heat Tubing	1	--
4	RP-SMA Jack Bulkhead	1	Gold Plated Brass



RECOMENDED HOLE DIMENSION FOR SMA CONNECTOR

NOTES:

- 1- CABLE ASSEMBLY SHALL BE TESTED FOR CONTINUITY
- 2- CABLE ASSEMBLY SHAL BE INDIVIDUALLY PACKAGED IN ACCORDANCE WITH L-COM SPECIFICATION PS-0031

UNLESS OTHERWISE SPECIFIED, DIMENSIONS ARE IN MILLIMETERS  DIMENSIONAL TOLERANCES: .X = ±0.2 .XX = ±0.1 .XXX = ±0.05  ANGULAR TOLERANCES: ALL = ± 5°  PROJECTION	APPROVALS DRAWN BY <b>B.Puchaski</b>	DATE 02/24/10		45 BEECHWOOD DRIVE NORTH ANDOVER, MA 01845	
	CHECKED BY <b>M.Audas</b>	DATE 02/24/10		CATEGORY <b>COAXIAL</b>	
	APPROVED BY <b>M.Audas</b>	DATE 02/24/10	PRODUCT DESCRIPTION <b>U.FL to RP-SMA Jack Bulkhead          20 cm - 1.13 Series Cable</b>		
	CONFIGURATION DETAILS OF UNDIMENSIONED FEATURES MAY VARY  COLOR VARIATIONS MAY OCCUR	SIZE <b>A</b>	FSCM NO. <b>43321</b>	DWG. NO. <b>CA-UFLRSBQC20</b>	REV. <b>B</b>
SCALE: NONE		CAD FILE: CA-UFLRSBQC20.SLDDRW		SHEET 1 OF 1	