

H700 系列 操纵杆 H700 Series Joystick



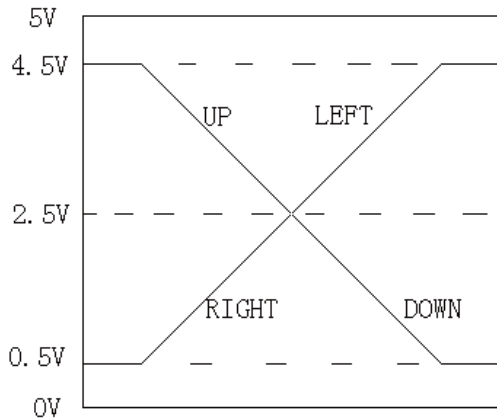
简介INTRODUCTION:

- 小型姆指三轴操纵杆:三轴+1 个按键, XYZ 轴是连续模拟量输出, 按钮开关量输出;
Small thumbsticks three-axis joystick:Three axis plus one button;X Y Z-axis is continuous analog output; Button switch output;
- 操作寿命: XYZ 轴大于 1000 万次, 按钮寿命大于 100 万次;
Operating life:X Y Z-axis is more than 1000,0000 times,Button life is more than 100,0000 times.
- 操作温度: -40 度~+80 度;
Operating Temperature:-40 Degrees ~ +80 degrees
- 手柄部分防护等级: IP65;
Handle part protect Class: IP65

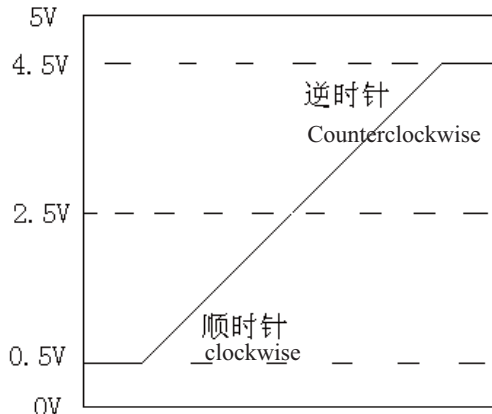
特点CHARACTERISTIC:

- 输出三轴霍尔型操纵杆, 采用德国进口霍尔传感器, 全温度范围线性校正, 磁性曲线线性校正, 保证输出的线性;
Hall-type three-axis joystick output. Adopt Hall sensor imported from Germany. Full temperature range linear correction, magnetic linear correction curves, linear output guarantee;
- 按键采用日本松下微动按键, 大于 100 万次;
Button adopt Panasonic's micro buttons , more than 100,0000 times
- XYZ 轴输出: 0.5V-4.5V (其它电压范围可以定制)
X Y Z axis output:0.5V-4.5V(Other voltage ranges can be customized)
- 按钮: 开关量, 按下与 GND 短接, 放开时与 GND 断路; 使用时要加上接电阻;
Button: Switch, press and GND shorted ,circuit to GND when released; to add resistors when used;
- 结构精密: 航空铝合金材料, 中心点精度小于 1%;
Structural precision: aviation aluminum alloy material, the center of accuracy of less than 1%

输出曲线图 Output curves chart:



XY轴输出曲线图
X Y axis Output curves chart

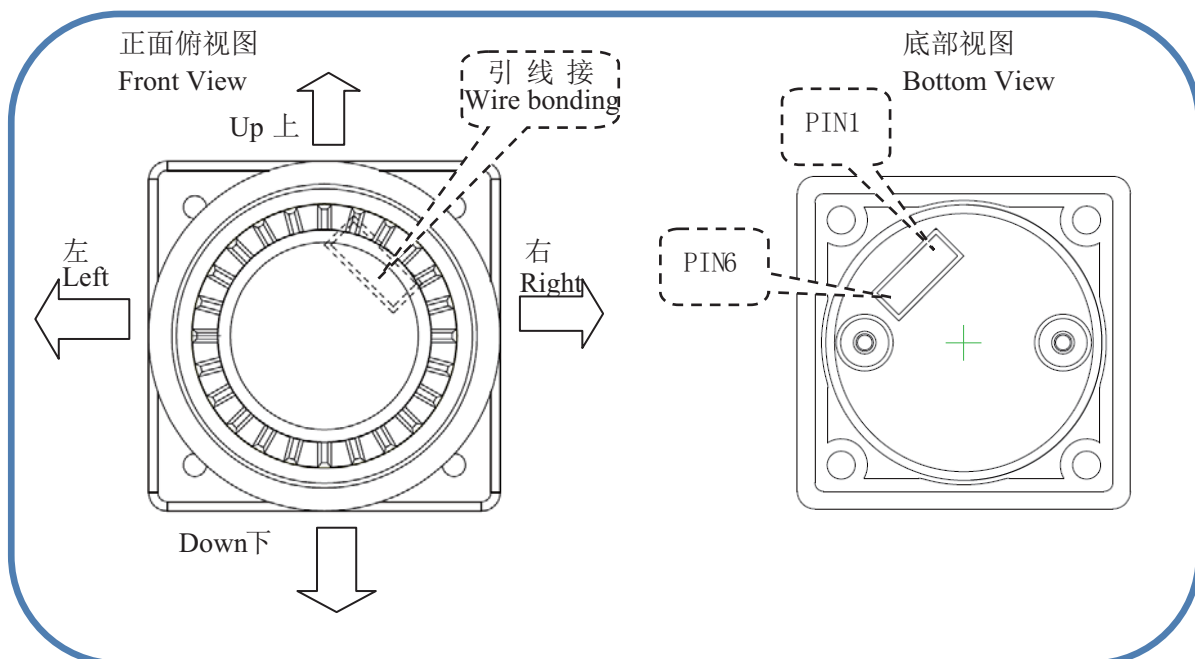


Z轴输出曲线图
Z axis Output curves chart

产品型号 Product Item no.:

H700-0	模拟信号输出, 无按钮(Analog signal output, no button)
H700-1	模拟信号输出, 1个按钮(Analog signal output, one button)
H700-0-XXX	数字信号输出, 无按钮(Digital signal output, no button)
H700-1-XXX	数字信号输出, 1个按钮(Digital signal output, one button)
XXX=SPI	三线 SPI 串行通信(Three-wire SPI serial communications);
XXX=RS232TTL	串行通信 RS232 接口, TTL 电平(Serial communications RS232 interface, TTL level);
XXX=RS422	串行通信 RS422 接口(Serial communications RS422 interface);
XXX=RS485	串行通信 RS485 接口(Serial communications RS485 interface);

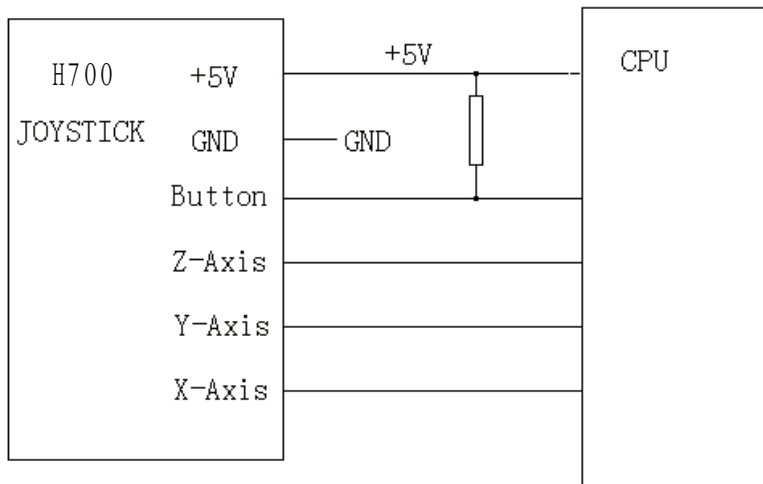
产品安装图 Product Installation Diagram



引脚定义Definitions Pin:

引脚 (Pin)1 + 5V	引脚 (Pin)2 GND	引脚(Pin)4 Button	引脚(Pin)3 Z-Axis	引脚 (Pin)5 Y-Axis	引脚 (Pin)6 X-Axis
+5V	GND	按钮(Button) 按下(Press)=0V 放开=开路 (Release = open)	Z 轴 Axis 0.5-4.5v 逆时针 (Counterclockwise) MAX=4.5V 顺时针 (clockwise)MIN=0.5 V	Y 轴 Axis 0.5-4.5v 左(Left) MAX=4.5 V 右(Right) MIN=0.5 V	X 轴 Axis 0.5-4.5v 上(Up) MAX=4.5 V 下(Down) MIN=0.5 V

接线图Wiring Diagram



外形尺寸图Dimensions:

