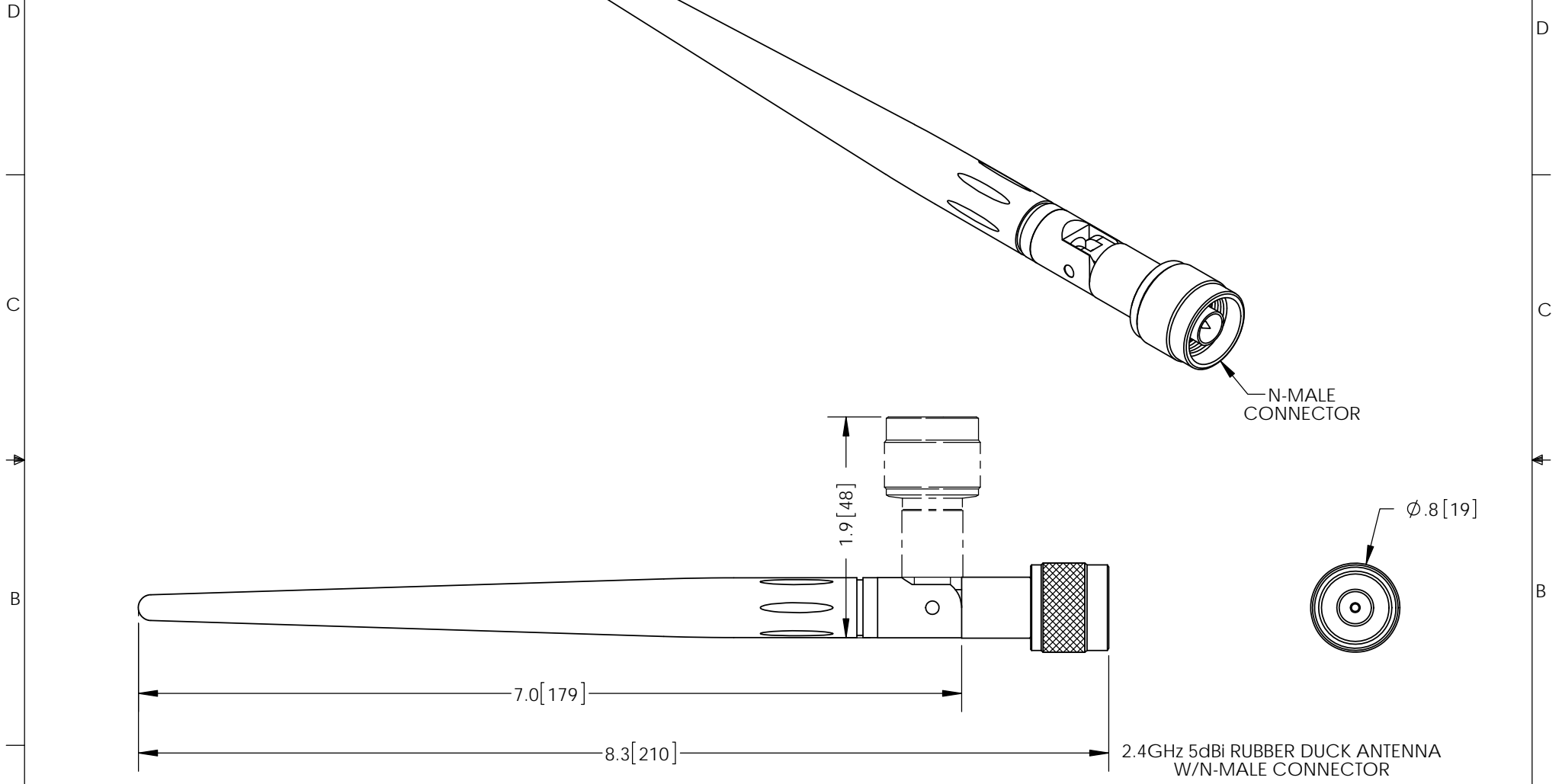


THE INFORMATION CONTAINED IN THIS DRAWING IS THE SOLE PROPERTY OF L-COM, INC. ANY REPRODUCTION IN PART OR WHOLE WITHOUT THE WRITTEN PERMISSION OF L-COM, INC. IS PROHIBITED.

REVISIONS			
REV	DESCRIPTION	DATE	APPROVED
A	INITIAL RELEASE	10/24/11	B.PUCHASKI
B	ECN 8615 NEW DESIGN UPDATE	01/26/17	B.PUCHASKI



NOTES:

PACKAGING:
 COMPONENT SHALL BE INDIVIDUALLY PACKAGED IN ACCORDANCE WITH L-COM SPECIFICATION PKG-00031

- ALL DIMENSIONS FOR REFERENCE-

REGULATORY COMPLIANCE:
 CE2011/65/EU(RoHS DIRECTIVE)

UNLESS OTHERWISE SPECIFIED, DIMENSIONS ARE IN INCHES [mm] DIMENSIONAL TOLERANCES: .X = ±.1 [2.54] .XX = ±.01 [2.5] .XXX = ±.005 [13] ANGULAR TOLERANCES: ALL = ± 1° PROJECTION	APPROVALS B.PUCHASKI	DATE 10/24/11		50 HIGH STREET NORTH ANDOVER, MA 01845	
	CHECKED BY P.PESA	10/24/11		CATEGORY ANTENNA	
	APPROVED BY P.PESA	10/24/11	PRODUCT DESCRIPTION 2.4GHz 5dBi RUBBER DUCK ANTENNA W/N-MALE CONNECTOR		
	CONFIGURATION DETAILS OF UNDIMENSIONED FEATURES MAY VARY COLOR VARIATIONS MAY OCCUR	SIZE A	FSCM NO. 43321	DWG. NO. HG2405RD-NM	REV. B
SCALE: NONE		CAD FILE: HG2405RD-NM.SLDDRW		SHEET 1 OF 1	