

8

7

6

5

4

3

2

1

F

E

D

C

B

A

F

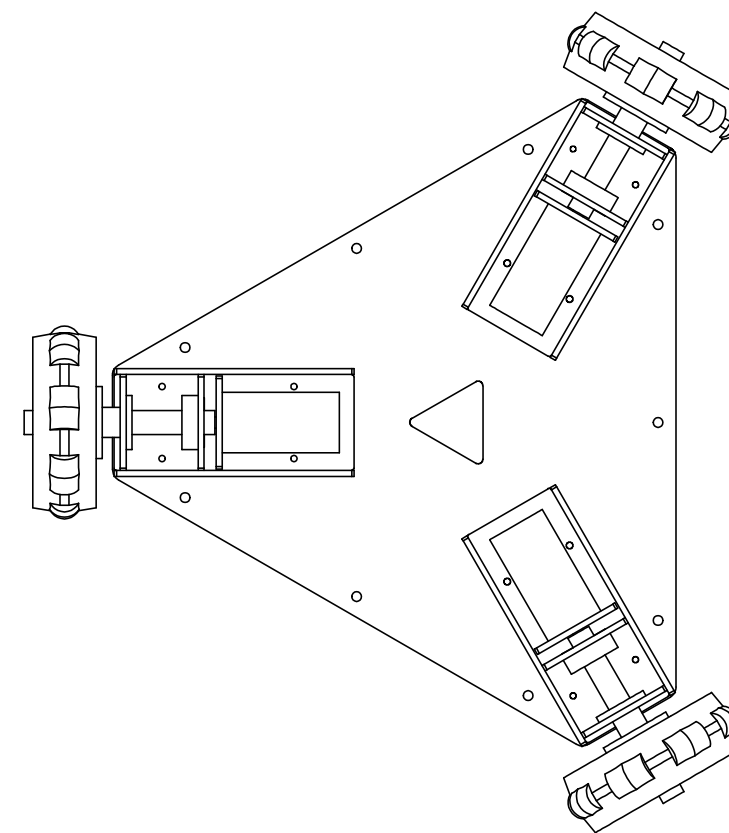
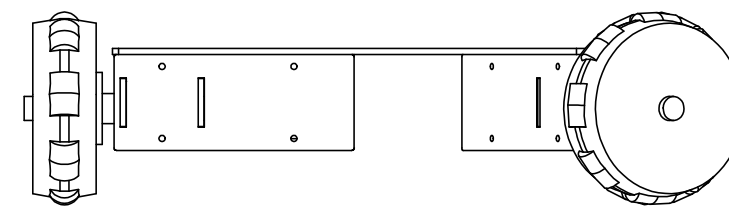
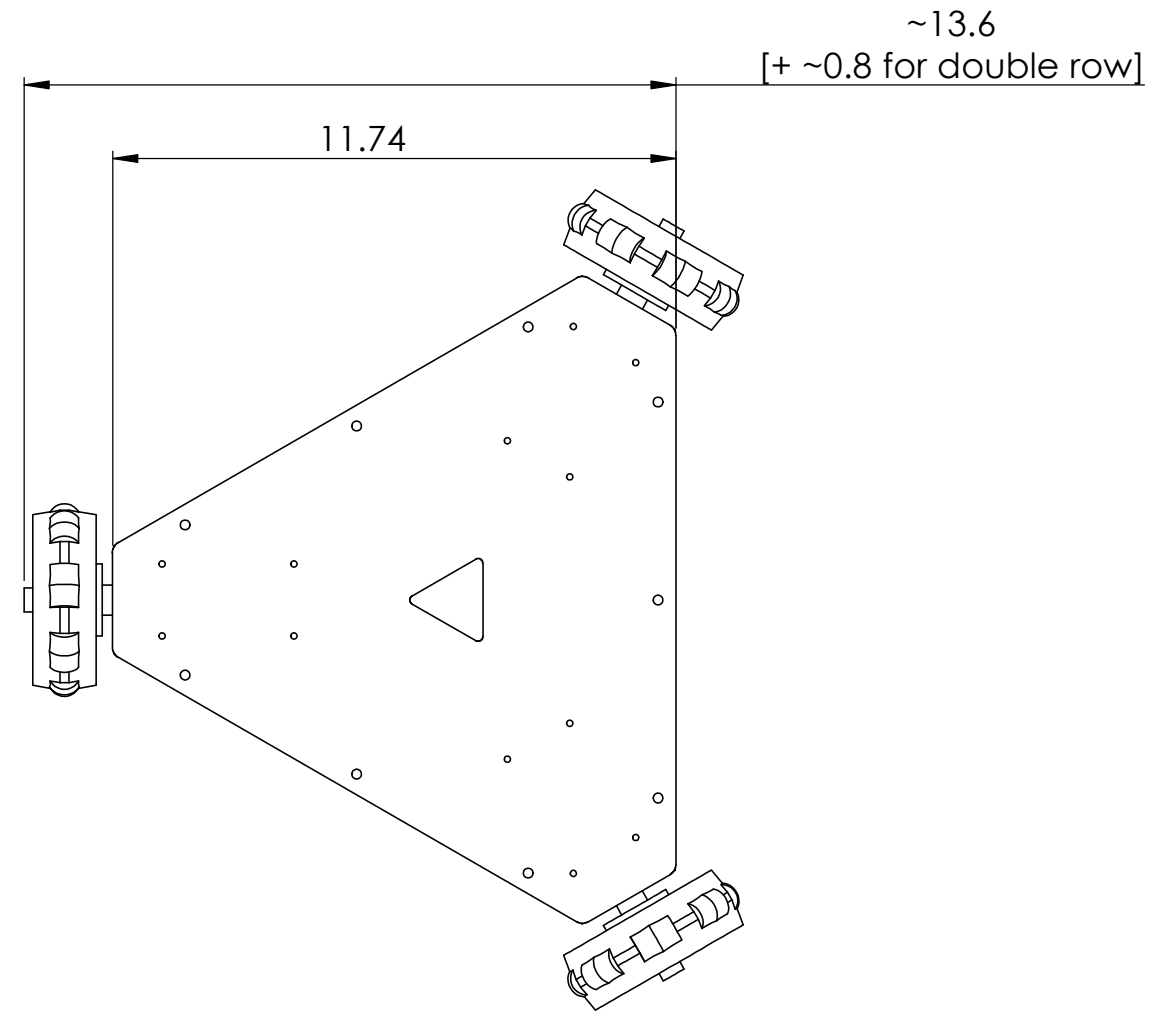
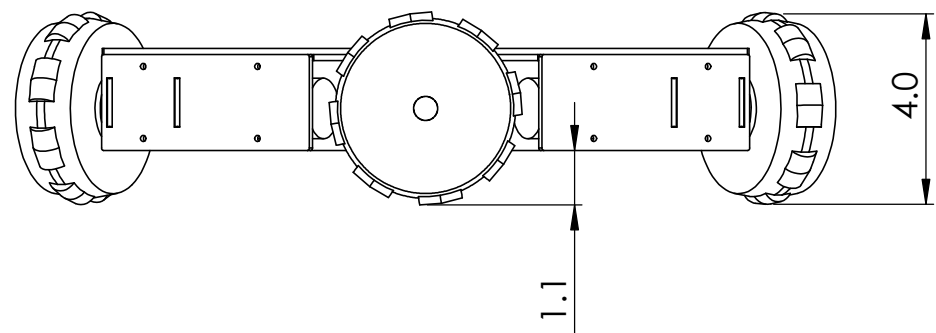
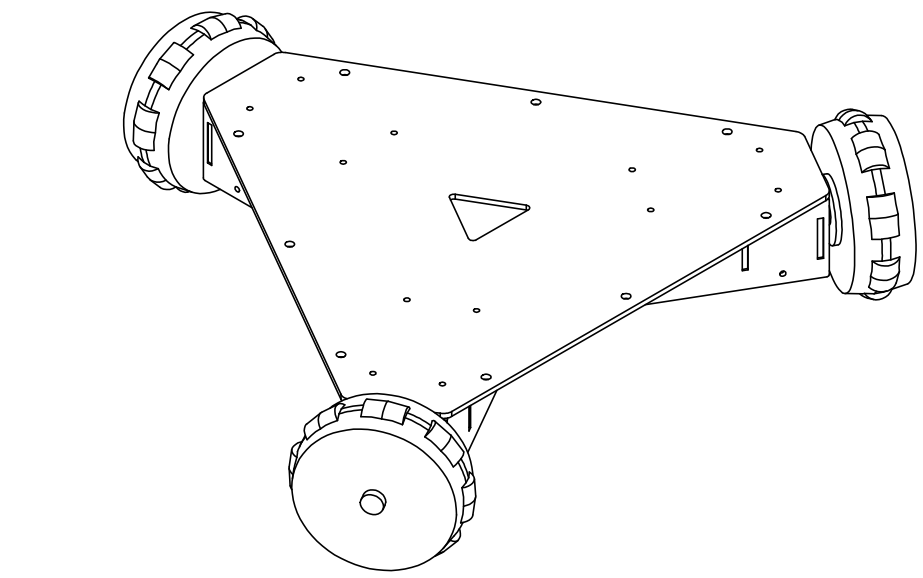
E

D

C

B

A



Tri-Wheel Vectoring Robot Kit - IG32 Large

SUPERDROID ROBOTS INC
 Ph: 919-557-9162
 Fax: 775-416-2595

PROPRIETARY AND CONFIDENTIAL
 THE INFORMATION CONTAINED IN THIS DRAWING IS THE SOLE PROPERTY OF SUPERDROID ROBOTS INC. ANY REPRODUCTION IN PART OR AS A WHOLE WITHOUT THE WRITTEN PERMISSION OF SUPERDROID ROBOTS INC IS PROHIBITED.

UNLESS OTHERWISE SPECIFIED:
 DIMENSIONS ARE IN INCHES
 ANGULAR: 0.5 deg
 TWO PLACE DECIMAL ±0.03
 THREE PLACE DECIMAL ±0.005

COMMENTS:

SIZE	DWG. NO.
C	TP-092-003
SCALE: 1:4	MATERIAL:

REV	SHEET 1 OF 1
10/10/2012	

8

7

6

5

4

3

2

1