

**SUPERDROID ROBOTS INC**

Ph: 919-557-9162  
Fax: 775-416-2595

**PROPRIETARY AND CONFIDENTIAL**

THE INFORMATION CONTAINED IN THIS DRAWING IS THE SOLE PROPERTY OF SUPERDROID ROBOTS INC. ANY REPRODUCTION IN PART OR AS A WHOLE WITHOUT THE WRITTEN PERMISSION OF SUPERDROID ROBOTS INC IS PROHIBITED.

UNLESS OTHERWISE SPECIFIED:  
DIMENSIONS ARE IN INCHES  
ANGULAR: 0.5 deg  
TWO PLACE DECIMAL  $\pm 0.03$   
THREE PLACE DECIMAL  $\pm 0.005$

COMMENTS:

SIZE DWG. NO.

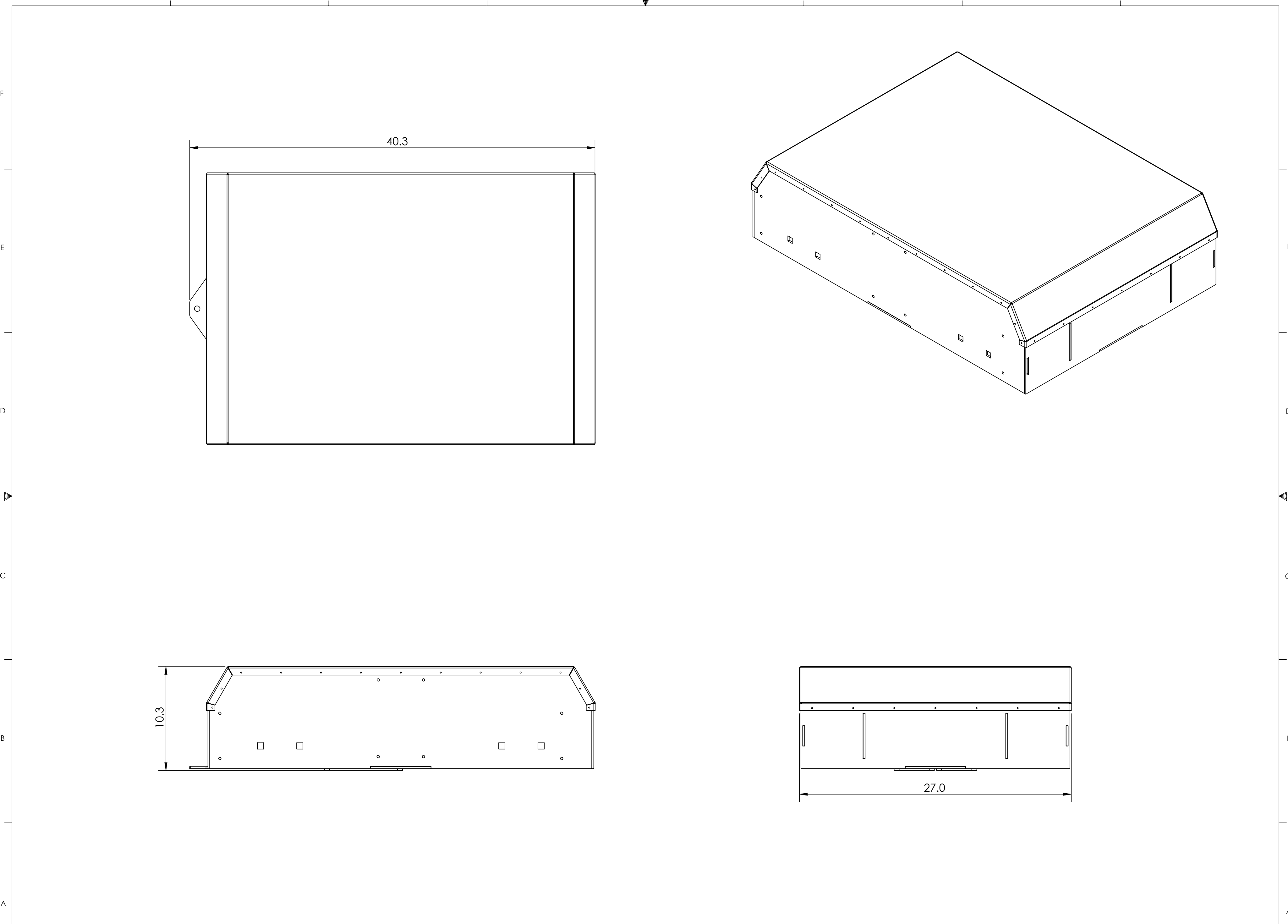
**C** ATR-4WD-WC24

REV  
3-27-15

SCALE: 1:6

MATERIAL:

SHEET 1 OF 2



**SUPERDROID ROBOTS INC**  
 Ph: 919-557-9162  
 Fax: 775-416-2595

**PROPRIETARY AND CONFIDENTIAL**

THE INFORMATION CONTAINED IN THIS DRAWING IS THE SOLE PROPERTY OF SUPERDROID ROBOTS INC. ANY REPRODUCTION IN PART OR AS A WHOLE WITHOUT THE WRITTEN PERMISSION OF SUPERDROID ROBOTS INC IS PROHIBITED.

UNLESS OTHERWISE SPECIFIED:  
 DIMENSIONS ARE IN INCHES  
 ANGULAR: 0.5 deg  
 TWO PLACE DECIMAL ±0.03  
 THREE PLACE DECIMAL ±0.005

COMMENTS:

SIZE	DWG. NO.
<b>C</b>	ATR-4WD-WC24

REV	2-3-15
-----	--------

SCALE: 1:6

MATERIAL:

SHEET 2 OF 2