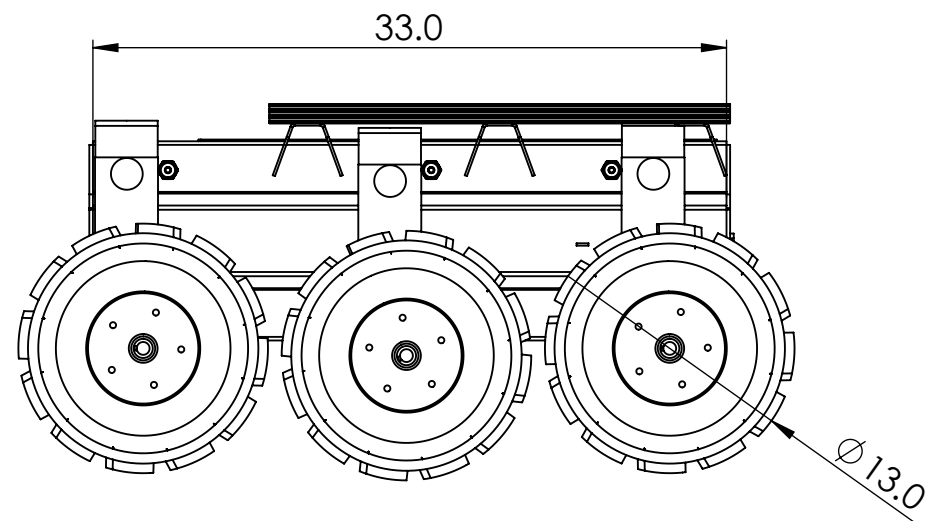
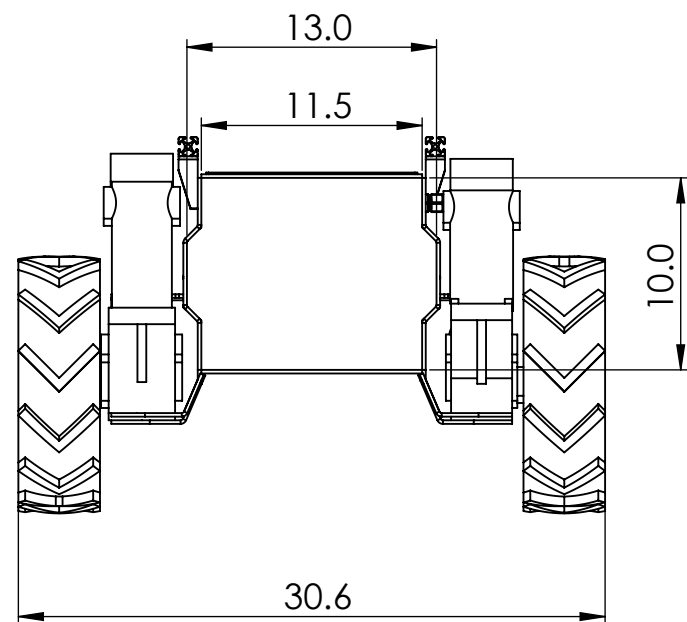
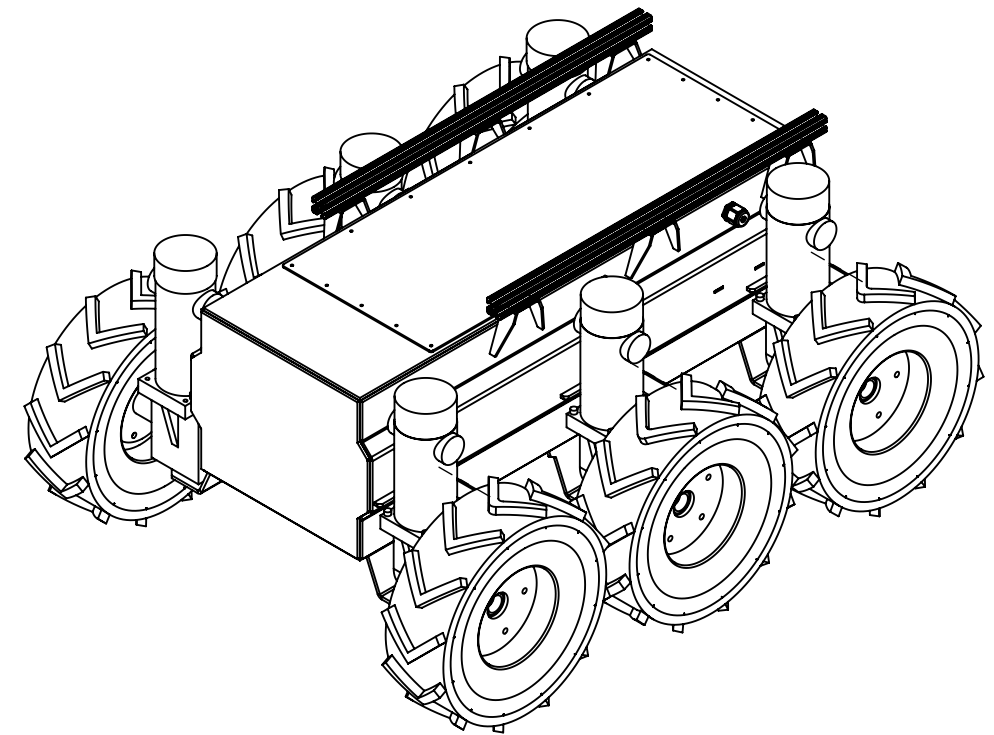


1" SQUARE 8020 ALUMINUM EXTRUSION RAIL
(24.0" LONG)



SUPERDROID ROBOTS INC

Ph: 919-557-9162
Fax: 775-416-2595

PROPRIETARY AND CONFIDENTIAL

THE INFORMATION CONTAINED IN THIS DRAWING IS THE SOLE PROPERTY OF SUPERDROID ROBOTS INC. ANY REPRODUCTION IN PART OR AS A WHOLE WITHOUT THE WRITTEN PERMISSION OF SUPERDROID ROBOTS INC IS PROHIBITED.

UNLESS OTHERWISE SPECIFIED:
DIMENSIONS ARE IN INCHES
ANGULAR: 0.5 deg
TWO PLACE DECIMAL ±0.03
THREE PLACE DECIMAL ±0.005

SIZE DWG. NO.

B 6WD wheelchair motor assembly

SCALE: 1:10 MATERIAL:

REV

6/23/20

SHEET 2 OF 2