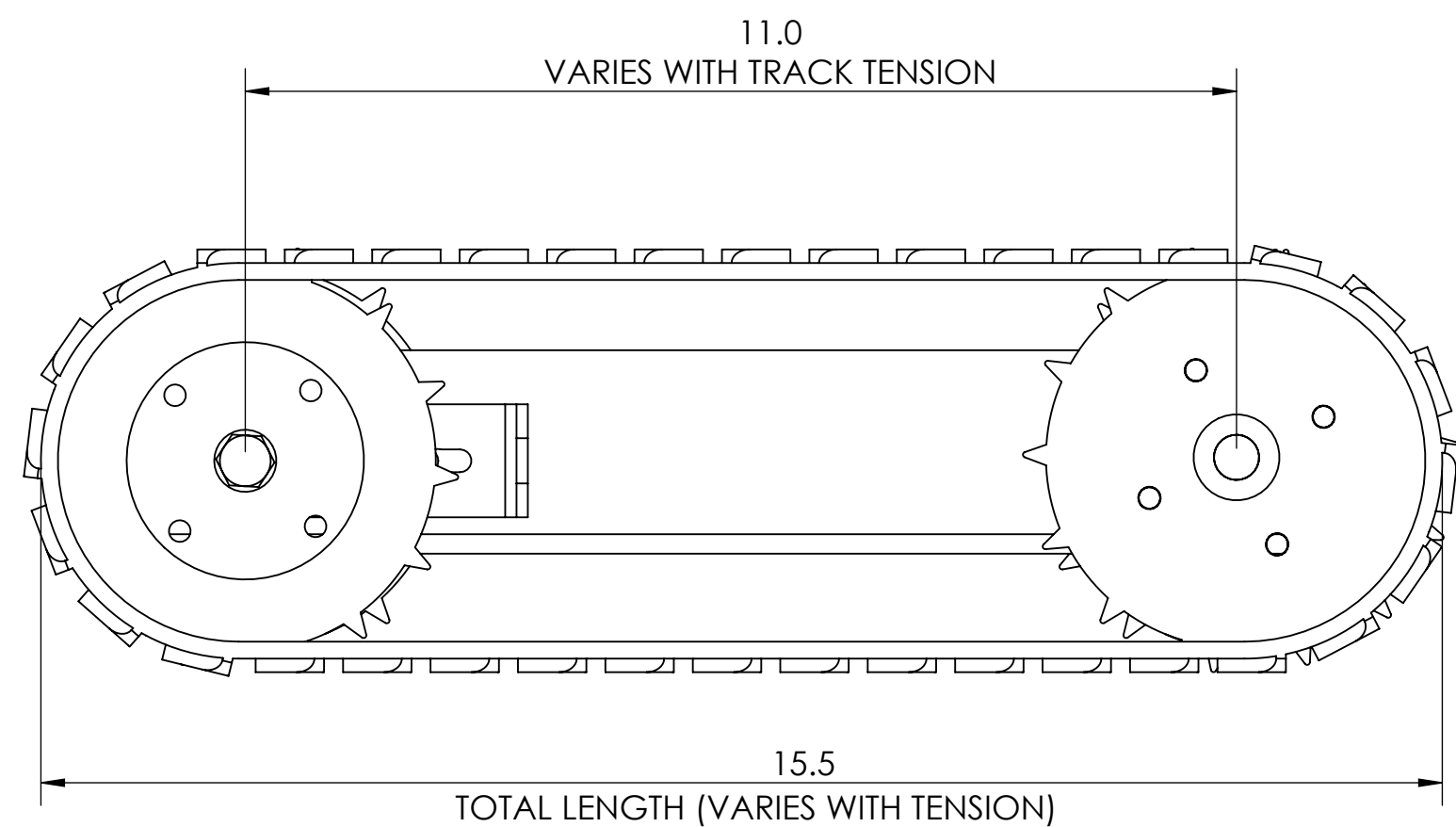
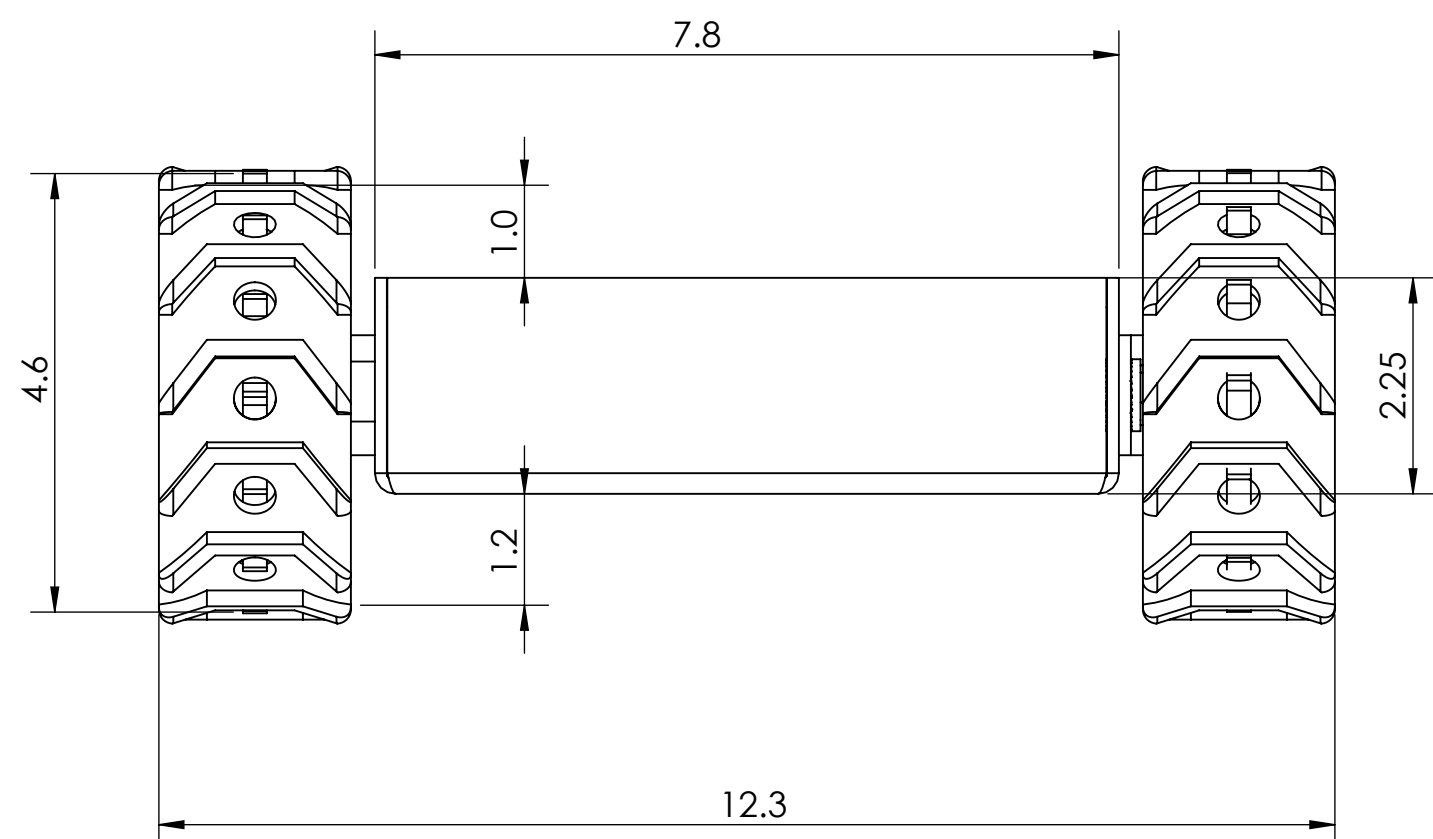


.125" Thick Aluminum Chassis



SUPERDROID ROBOTS INC

Ph: 919-557-9162
Fax: 775-416-2595

PROPRIETARY AND CONFIDENTIAL

THE INFORMATION CONTAINED IN THIS DRAWING IS THE SOLE PROPERTY OF SUPERDROID ROBOTS INC. ANY REPRODUCTION IN PART OR AS A WHOLE WITHOUT THE WRITTEN PERMISSION OF SUPERDROID ROBOTS INC IS PROHIBITED.

UNLESS OTHERWISE SPECIFIED:
DIMENSIONS ARE IN INCHES
ANGULAR: 0.5 deg
TWO PLACE DECIMAL ± 0.03
THREE PLACE DECIMAL ± 0.005

COMMENTS:

SIZE DWG. NO.

C MLT -42 KIT assembly.SLDPRT

SCALE: 1:2

MATERIAL:

REV

7/8/20

SHEET 1 OF 1