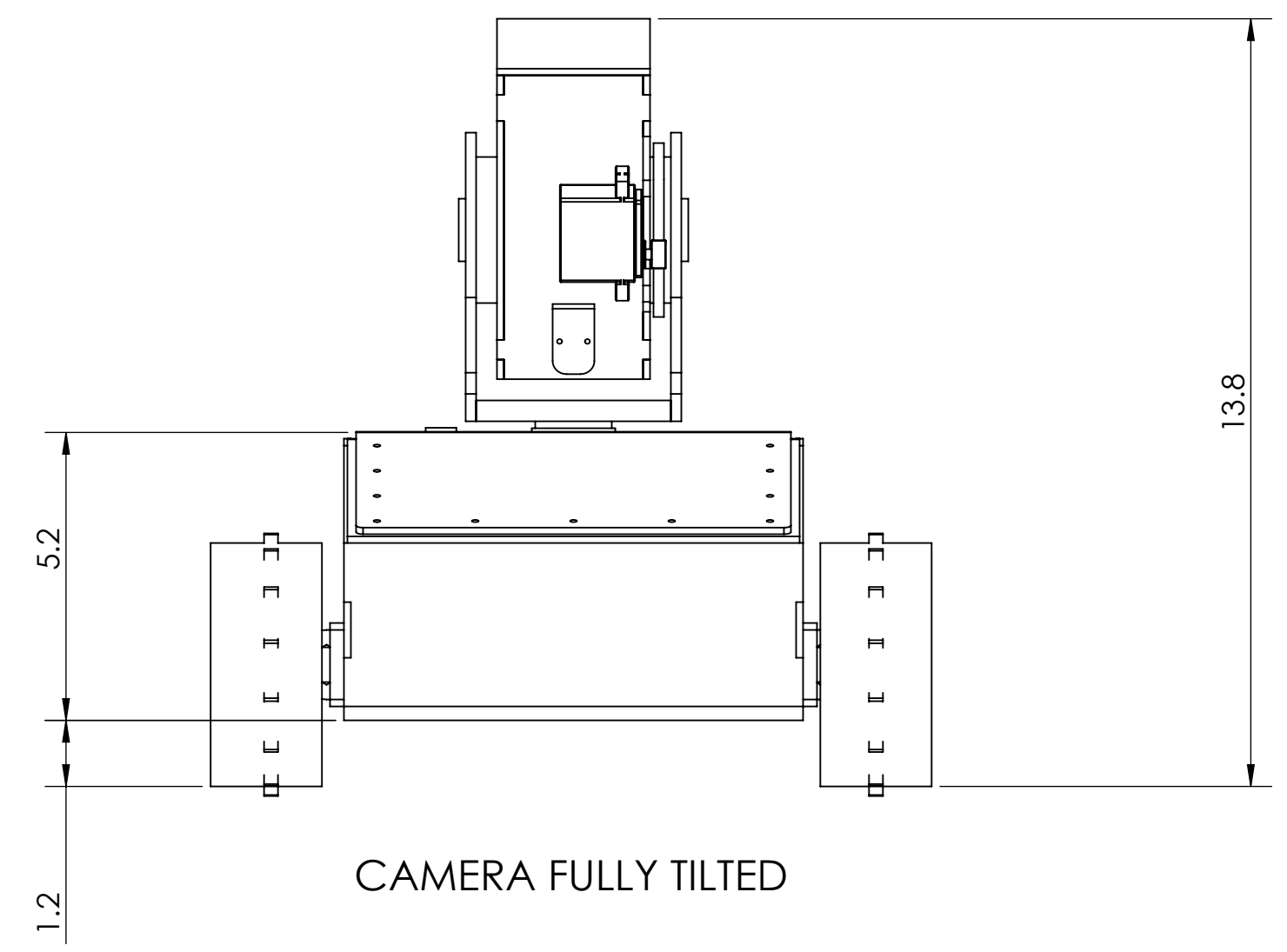
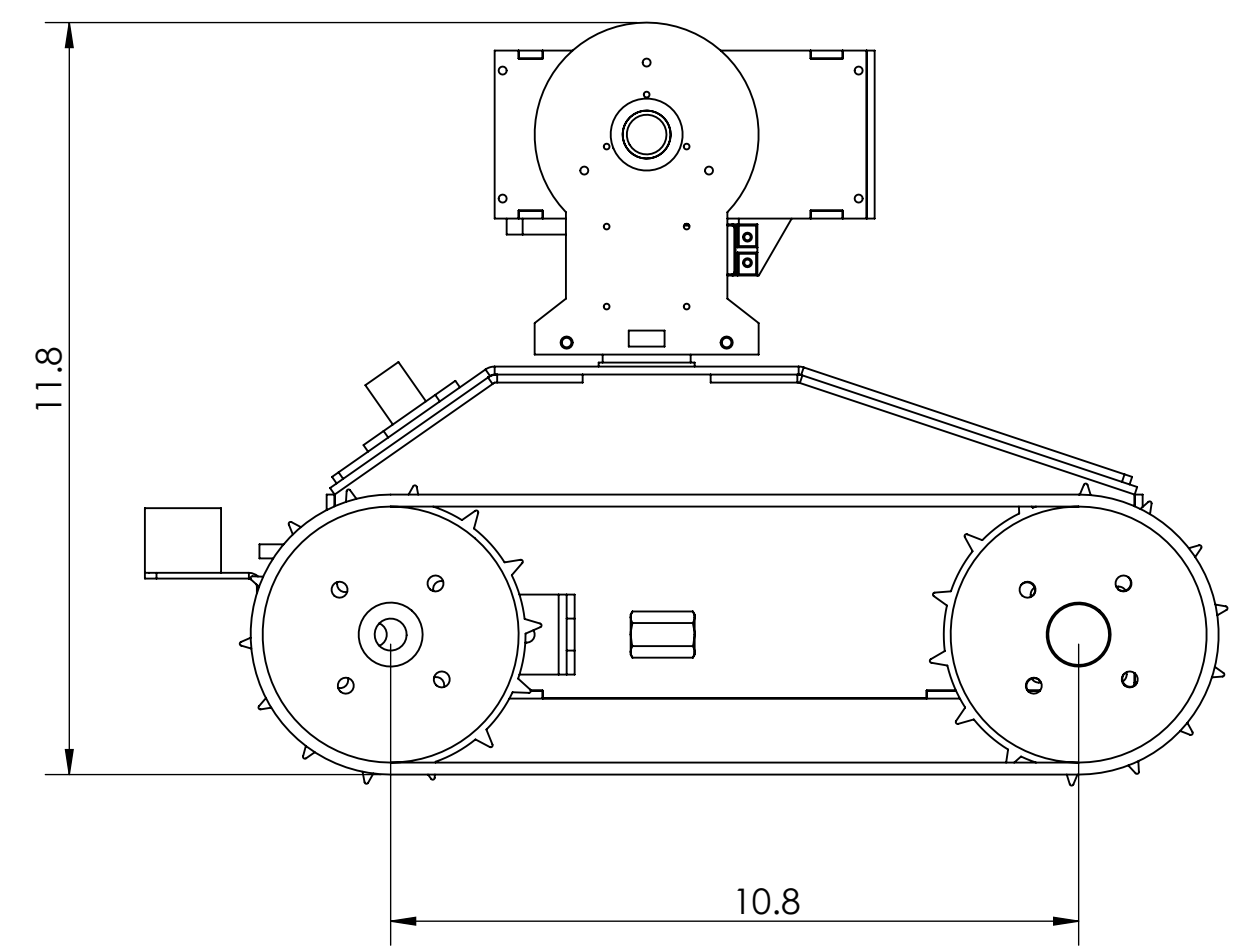
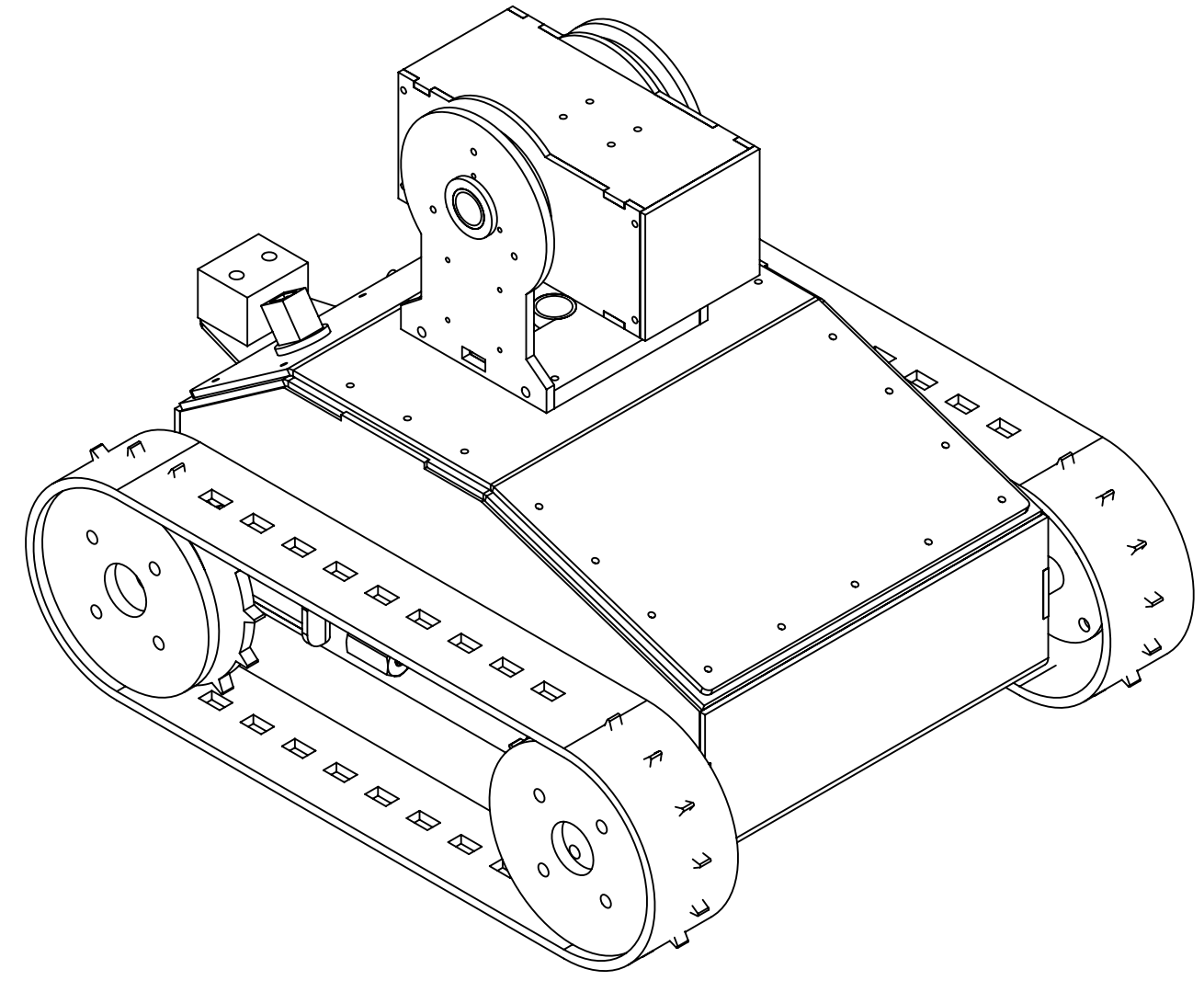
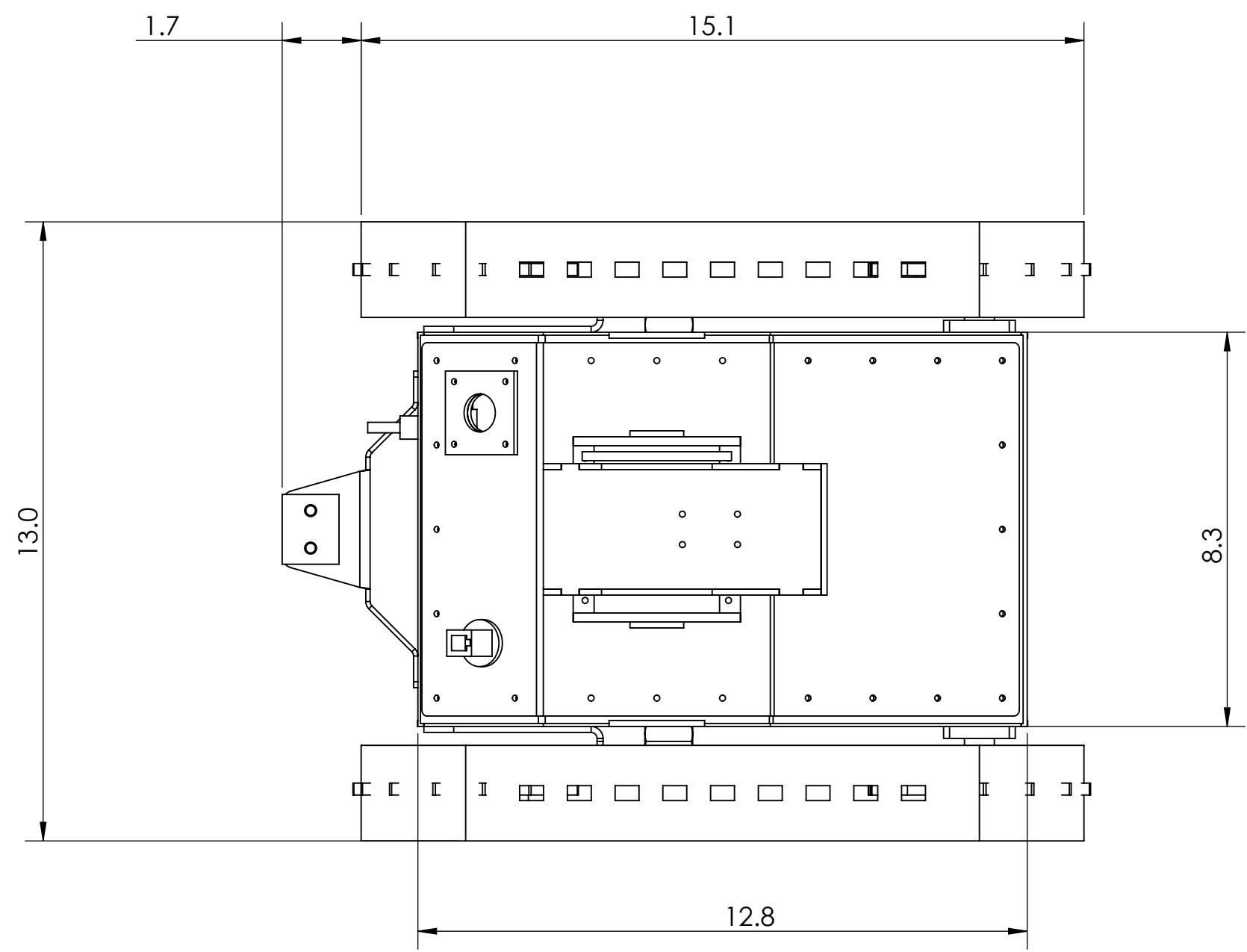


8 7 6 5 4 3 2 1

F  
E  
D  
C  
B  
A



F  
E  
D  
C  
B  
A

**SUPERDROID ROBOTS INC**  
Ph: 919-557-9162  
Fax: 775-416-2595

**PROPRIETARY AND CONFIDENTIAL**  
THE INFORMATION CONTAINED IN THIS DRAWING IS THE SOLE PROPERTY OF SUPERDROID ROBOTS INC. ANY REPRODUCTION IN PART OR AS A WHOLE WITHOUT THE WRITTEN PERMISSION OF SUPERDROID ROBOTS INC IS PROHIBITED.

UNLESS OTHERWISE SPECIFIED:  
DIMENSIONS ARE IN INCHES  
ANGULAR: 0.5 deg  
TWO PLACE DECIMAL ±0.03  
THREE PLACE DECIMAL ±0.005

COMMENTS:

SIZE	DWG. NO.	REV
<b>C</b>	Assy MLT 42 Right Angle flange lid	7-27-16
SCALE: 1:3	MATERIAL:	

SHEET 1 OF 2

8 7 6 5 4 3 2 1