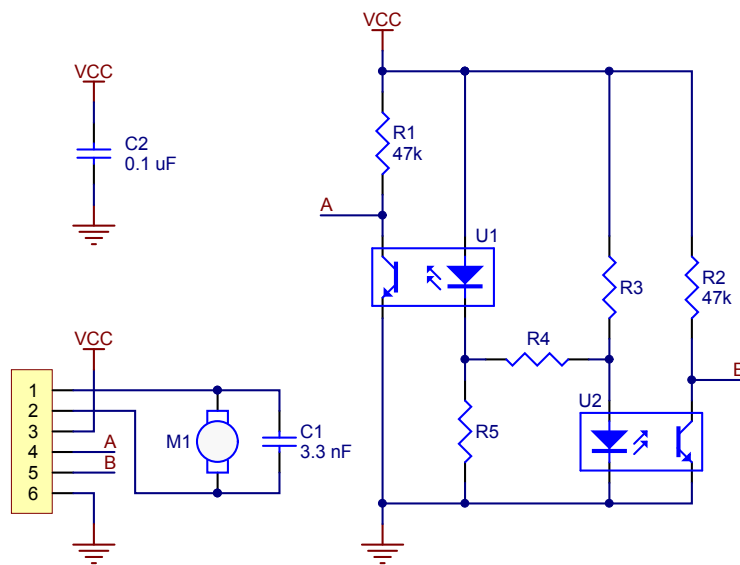


Optical Encoder for Micro Metal Gearmotor

©2013 Pololu Corporation
www.pololu.com



5 V version: $R4 = 220 \Omega$, $R3$ and $R5$ not populated (emitters in series)

3.3 V version: $R4$ not populated, $R3$ and $R5 = 180 \Omega$ (emitters in parallel)