

SPECIFICATION

MODULE NO	NC2004A-serise
VERSION	VER.0
CUSTOMER	
APPROVE	

Sale by	Check by	Prepare by

科創光電股份有限公司

台中市北屯區路 360 號 9 樓之一

NewTec Display Co., Ltd.

9F-1, No360, Beitun Rd., Taichung City 406, Taiwan (R.O.C.)

TEL: 886-4-22474858 FAX: 886-4-22474859

<http://www.newtec.com.tw>

INDEX

SPECIFICATION COVER	1
ISSUE RECORD	3
1.NUMBERING SYSTEM	4
2. PRECAUTION IN USE OF LCD MODULE	6
3. GENERAL SPECIFICATION	6
3.1 MECHANICAL DIMENSION	6
3.2 CONTROLLER IC: KS0066 (OR EQUIVALENT) CONTROLLER	6
3.3 TEMPERATURE RANGE.....	6
4. ABSOLUTE MAXIMUM RATINGS	7
4.1 ELECTRICAL ABSOLUTE MAXIMUM RATINGS	7
4.2 ENVIRONMENTAL ABSOLUTE MAXIMUM RATINGS	7
5. ELECTRICAL CHARACTERISTICS	8
6. OPTICAL CHARACTERISTICS	8
6.1 DEFINITIONS	9
7. INTERFACE PIN FUNCTION	10
8. POWER SUPPLY FOR LCD MODULE AND LCD OPERATING VOLTAGE ADJUSTMENT	11
9. 1 SPECIFICATION.....	12
9.2 BACKLIGHT DRIVING METHODS.....	14
10.1 INSPECTION CONDITIONS	15
10.2 INSPECTION PARAMETERS	16
11. RELIABILITY	18
11.1CONTENT OF RELIABILITY TEST	18
12. CONTROLLER DATA	19
12.1 FUNCTION DESCRIPTION	19
12.2 CHARACTER GENERATOR RAM (CGRAM)	20
12.3 C.G ROM TABLE (TABLE 2).....	22
12.4 INSTRUCTION TABLE	26
12.5 TIMING CHARACTERISTICS.....	27
12.6 INITIALIZING SOFT WARE OF LCM	29
13. OUTLINE DRAWING	31

1. Numbering system

N C 2004 A - G H Y - RS
 1 2 3 4 5 6 7 8 9

1. Brand Name

N	NEWTEC Display Co., LTD
---	-------------------------

2. Display Type

T	TAB
B	Graphic
C	Character
O	COG
P	PLED
R	Color-STN
S	Seven-Segment
F	TFT

3. Number of Pixels

Character Module	Characters per line × Lines
Graphic Module	Row Dots × Column Dots

4. Series number

A~Z	Series Number
-----	---------------

5. LCD Mode:

	TN	STN		FSTN	Color-STN	TFT
Positive	T	G	Gary	F	R	T (Black)
		Y	Yellow/Green			
Negative	N	B	Blue	M		

6. LCD Polarize

	Normal Temperature		Wide Temperature	
	6:00	12:00	6:00	12:00
Reflective	A	D	G	J
Transflective	B	E	H	K
Transmissive	C	F	I	L

7. Backlight

None	N	None
EL	H	White
	U	Blue Green
LED	A	Amber
	B	Blue
	E	Yellow/Green, edge
	G	Green
	R	Red
	W	White
	Y	Yellow/Green
CCFL	C	White

8. IC font (Character)

Cyrillic/English	TS
Chinese/English	C(BIG 5), S(GB)
Japanese/English	PN,PS,PM
European/English	RN,RS,RK

9. Special code

A	Anti-glare
H	Touch panel
M	Negative voltage output and temperature compensation on board
N	With negative voltage output on board
X	Without negative voltage output on board

10. Others

--

2. Precaution in use of LCD Module

- (1) Avoid applying excessive shocks to the module or making any alterations or modifications to it.
- (2) Don't make extra holes on the printed circuit board, modify its shape or change the components of LCD module.
- (3) Don't disassemble the LCM.
- (4) Don't operate it above the absolute maximum rating.
- (5) Don't drop, bend or twist LCM.
- (6) Soldering: only to the I/O terminals.
- (7) Storage: please storage in anti-static electricity container and clean environment.
- (8) Don't touch the elastomer connector, especially insert a backlight panel (EL or CCFL)

3. General Specification

3.1 Mechanical Dimension

Item	Dimension	Unit
Number of Characters	20 characters x 4 Lines	-
Module dimension (L x W x H)	98.0 x 60.0 x 9.3 (Max)-EL B/L or NO B/L 98.0 x 60.0 x 13.6 (Max)- LED B/L	mm
View area	77.0 x 25.2	mm
Active area	70.4 x 20.8	mm
Dot size	0.55 x 0.55	mm
Dot pitch	0.60 x 0.60	mm
Character size (L x W)	2.95 x 4.75	mm
Character pitch (L x W)	3.55 x 5.35	mm

3.2 Controller IC: KS0066 (or Equivalent) controller

3.3 Temperature Range

	Normal temperature	Wide temperature
Operation temperature	0 ~ +50	-20 ~ +70
Storage temperature	-10 ~ +60	-30 ~ +80

4. Absolute Maximum Ratings

4.1 Electrical Absolute Maximum Ratings

 (V_{SS}=0V, T_a=25)

Item	Symbol	Min	Max	Unit
Supply Voltage (Logic)	V _{DD} - V _{SS}	-0.3	7.0	V
Supply Voltage (LCD driver)	V _{DD} -V _O	-0.3	13	V
Input Voltage	V _I	V _{SS}	V _{DD}	V
Normal Type	T _{OP}	0	+50	
	T _{STG}	-10	+60	
Wide Temperature Type	Top	-20	+70	
	Tstg	-30	+80	

4.2 Environmental Absolute Maximum Ratings

Item	Operating		Storage		Comment
	(Min.)	(Max.)	(Min.)	(Max.)	
Humidity	Note(2)		Note(2)		Without condensation
Vibration	--	4.9M/S ²	--	19.6M/S ²	XYZ Direction
Shock	--	29.4M/S ²	--	490M/S ²	XYZ Direction

 Note (1) T_a = 0 : 50Hr Max.

 Note (2) T_a 40 : 90% RH MAX

 T_a > 40 : Absolute humidity must be lower than the humidity of 90% at 40 .

5. Electrical Characteristics

Item	Symbol	Condition	Min.	Typ.	Max.	Unit
Supply Voltage For Logic	Vdd-Vss	-	2.8	5.0	5.5	V
Supply Voltage For LCD *Wide Temp、 Type	Vdd-Vo	-			5.0	-20
				4.5		25
			4.2			70
Input High Vol.	V _{IH}	-	2.2	-	Vdd	V
Input Low Vol.	V _{IL}	-	-	-	0.6	V
Output High Vol.	V _{OH}	-	2.4	-	-	V
Output Low Vol.	V _{OL}	-	-	-	0.4	V
Supply Current(Logic)	I _{dd}	Vdd=5V	-	1.7	-	mA

6. Optical Characteristics

- STN

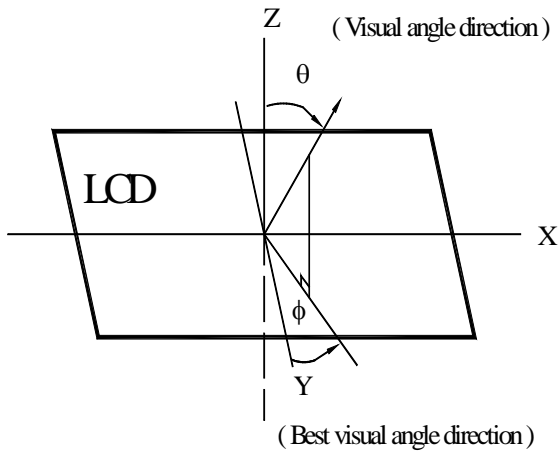
Item	Symbol	Condition	Min.	Typ.	Max.	Unit
View Angle	(V)	CR 2	10		45	deg
	(H)	CR 2	-30		30	deg
Contrast Ratio	CR	-		3		-
Response Time 25	T rise	-		100	150	ms
	T fall	-		150	200	Ms

- FSTN

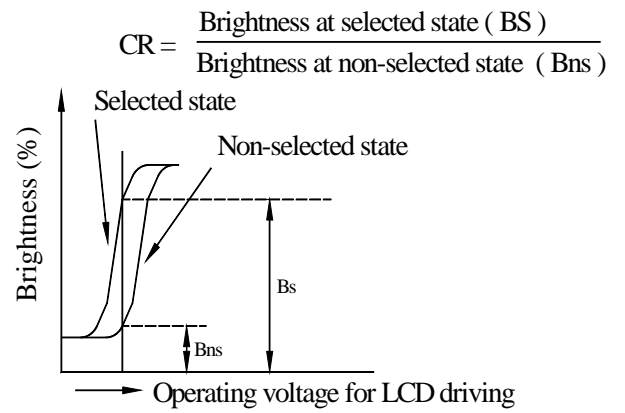
Item	Symbol	Condition	Min.	Typ.	Max.	Unit
View Angle	(V)	CR 2	10		50	deg
	(H)	CR 2	-45		45	deg
Contrast Ratio	CR	-		5		-
Response Time 25	T rise	-		100	150	ms
	T fall	-		150	200	ms

6.1 Definitions

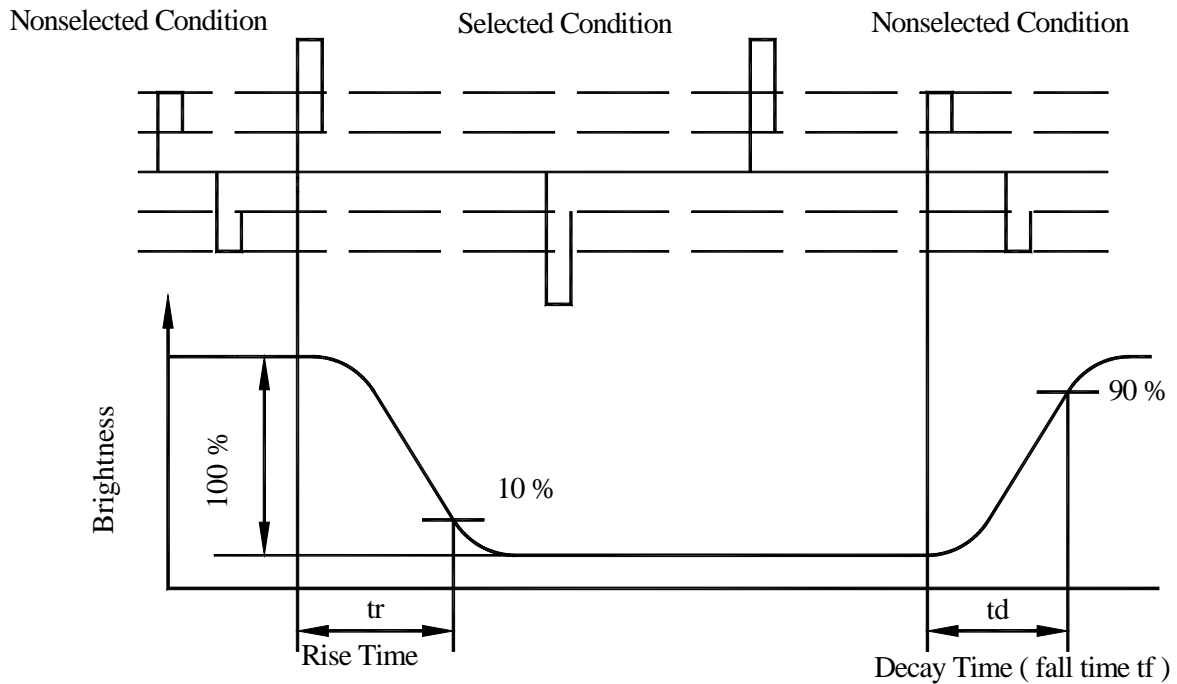
View Angles



Contrast Ratio



Response Time



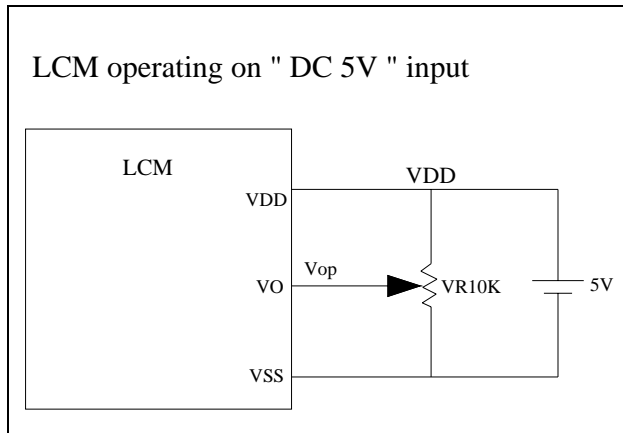
7. Interface Pin Function

Pin No.	Symbol	Level	Description
1	Vss	0V	Supply Voltage for logic Ground
2	Vdd	5.0V	Supply Voltage for logic and LED backlight
3	Vo	(Variable)	Operating voltage for LCD
4	RS	H/L	H:DATA, L: Instruction code
5	R/W	H/L	H: Read(MPU Module) ; L: Write(MPU Module)
6	E	H,H L	Chip enable signal
7	DB0	H/L	Data bit 0
8	DB1	H/L	Data bit 1
9	DB2	H/L	Data bit 2
10	DB3	H/L	Data bit 3
11	DB4	H/L	Data bit 4
12	DB5	H/L	Data bit 5
13	DB6	H/L	Data bit 6
14	DB7	H/L	Data bit 7
15	A/Vee		Power supply for backlight V+/Negative voltage output
16	K		Power supply for backlight V-

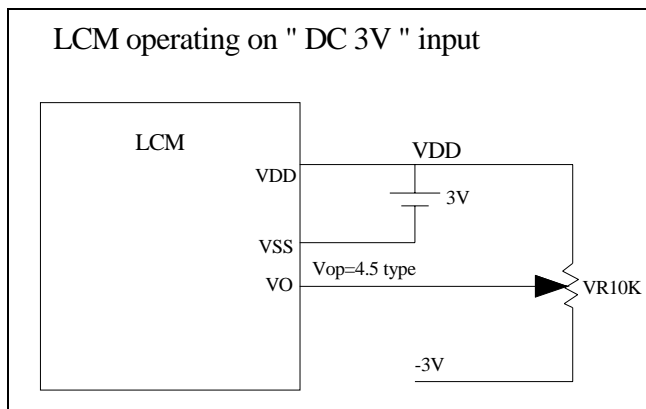
8. Power Supply for LCD Module and LCD Operating Voltage

Adjustment

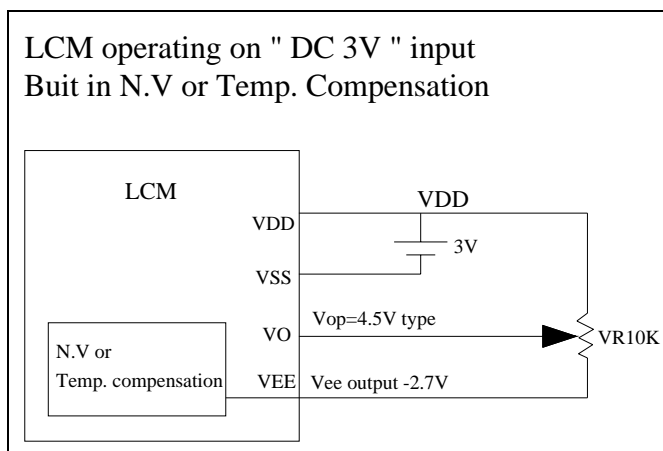
*Stander Type



* (Option) LCM operating on " DC 3V " input , with external negative voltage



* (Option) LCM operating on " DC 3V " input , built in negative voltage



9. Backlight Information

9.1 Specification

- LED array yellow-green

Parameter	Symbol	Min	Typical	Max	Unit	Test Condition
Supply Current	I _{LED}	-	280	560	mA	V _{LED} =4.2V
Supply Voltage	V	4.0	4.2	4.5	V	-
Reverse Voltage	V _R	-	-	8	V	-
Luminous Intensity	I _V	100	-	-	cd/m ²	I _{LED} =280mA
Wave Length	p	-	575	-	nm	I _{LED} =280mA
Life Time	-	-	100,000	-	Hr.	V 4.2V
Color	Yellow green					

- LED edge white

Parameter	Symbol	Min	Typical	Max	Unit	Test Condition
Supply Current	I _{LED}	-	60	-	mA	V _{LED} =3.2V
Supply Voltage	V		3.2	3.4	V	-
Reverse Voltage	V _R	-	-	5	V	-
Luminous Intensity	I _V	80	-	-	cd/m ²	I _{LED} =60mA
Chromaticity	X	-	0.30	-		I _{LED} =40mA
	Y		0.31			
Life Time	-	-	50,000	-	Hr.	V 3.2V
Color	white					

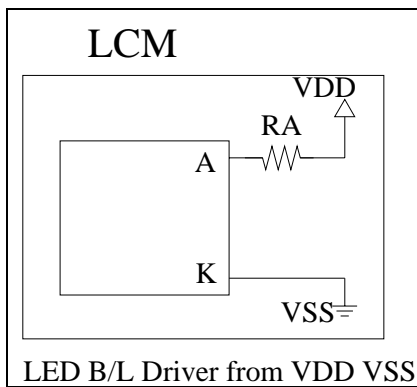
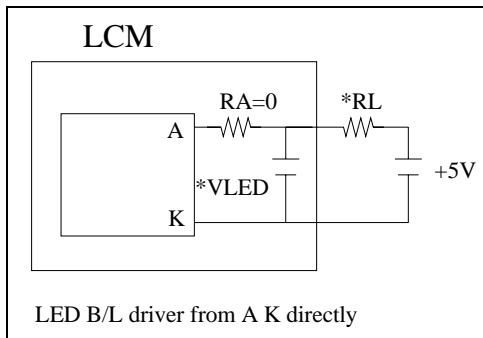
- EL white / blue

Parameter	Symbol	Min	Typ	Max	Unit	Test Condition
Voltage	V _{rms}	--	110 (AC)		--	

Frequency	HZ	--	400		--	
Brightness*	cd/m ²	48	60		--	110Vrms 400Hz
CIE Chromaticity Diagram	X	--	0.3019(white)		--	
			0.330 (blue)			
	Y	--	0.3929(white)		--	
			0.365 (blue)			
Current Dissipation	mA/cm ²	--	3.63		--	
Power Dissipation	mW/cm ²	--	71.71		--	
Color	Blue , white					

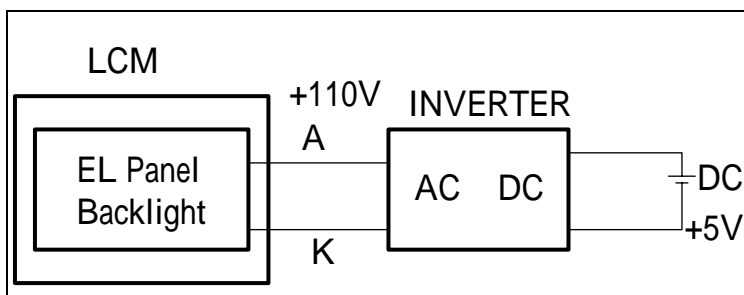
9.2 Backlight driving methods

a. LED B/L drive methods



- * 1.array (yellow green) LED B/L driver : $V_{LED}=4.2V$ $R_L=3.0\Omega$
- * 2. edge (white/blue) LED B/L driver : $V_{LED}=3.2V$ $R_L=30\Omega$

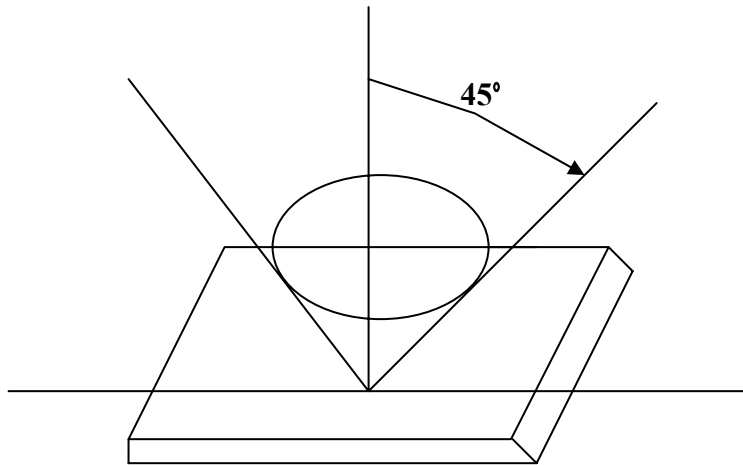
b. E/L B/L driven from A.K cable directly



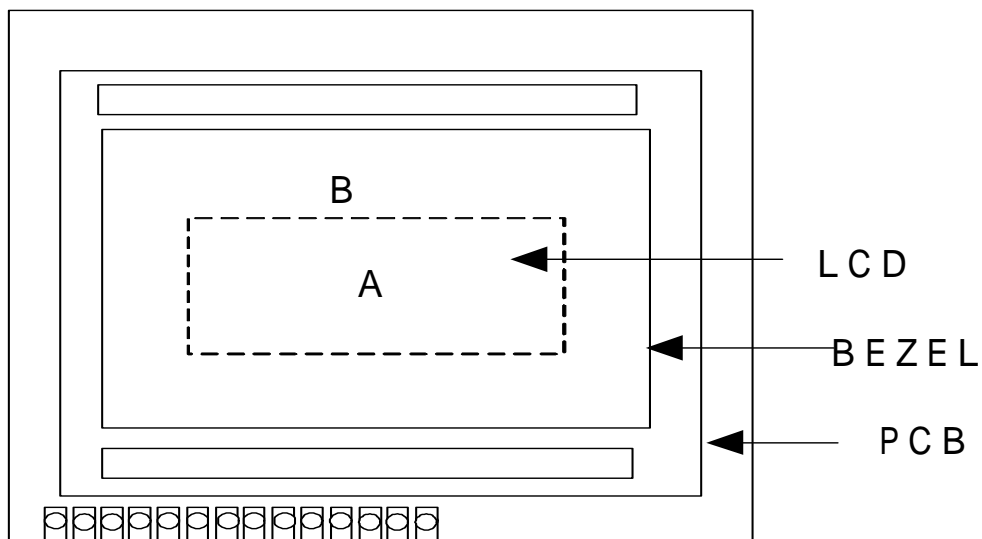
10. Quality Assurance

10.1 Inspection conditions

The LCD shall be inspected under 40W white fluorescent light.



Definition of applicable Zones

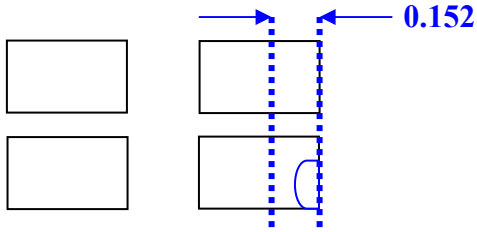
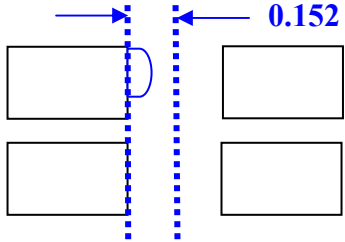
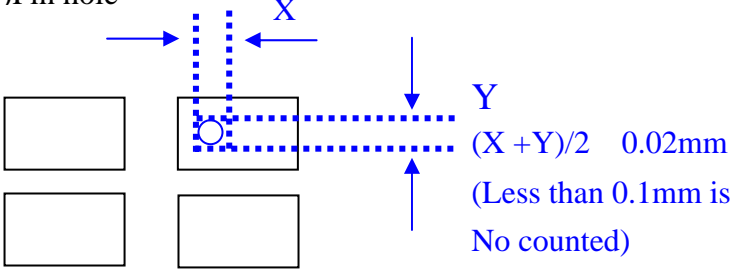
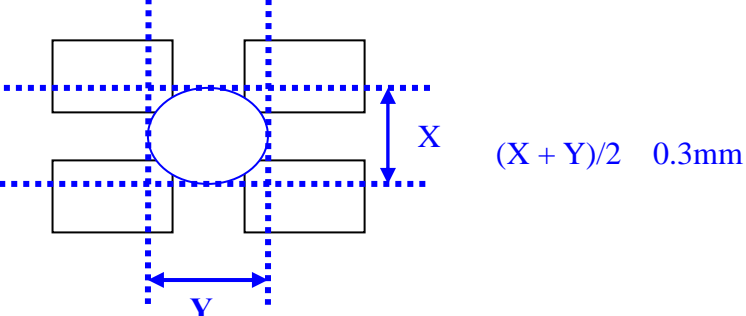


A : Display Area

B : Non-Display Area

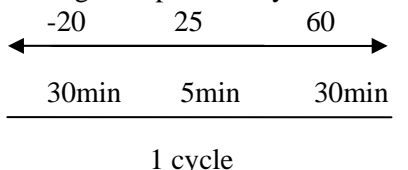
10.2 Inspection Parameters

NO.	Parameter	Criteria																					
1	Black or White spots	<table border="1" style="width: 100%; border-collapse: collapse;"> <thead> <tr> <th rowspan="2" style="width: 30%;">Zone Dimension</th> <th colspan="2">Acceptable Number</th> <th rowspan="2">Class Of Defects</th> <th rowspan="2">Acceptable Level</th> </tr> <tr> <th>A</th> <th>B</th> </tr> </thead> <tbody> <tr> <td>D < 0.15</td> <td>*</td> <td>*</td> <td rowspan="4" style="text-align: center;">Minor</td> <td rowspan="4" style="text-align: center;">2.5</td> </tr> <tr> <td>0.15 D 0.2</td> <td>4</td> <td>4</td> </tr> <tr> <td>0.2 D 0.25</td> <td>2</td> <td>2</td> </tr> <tr> <td>D 0.3</td> <td>0</td> <td>1</td> </tr> </tbody> </table> <p>D=(Long + Short)/2 *: Disregard</p>	Zone Dimension	Acceptable Number		Class Of Defects	Acceptable Level	A	B	D < 0.15	*	*	Minor	2.5	0.15 D 0.2	4	4	0.2 D 0.25	2	2	D 0.3	0	1
Zone Dimension	Acceptable Number			Class Of Defects	Acceptable Level																		
	A	B																					
D < 0.15	*	*	Minor	2.5																			
0.15 D 0.2	4	4																					
0.2 D 0.25	2	2																					
D 0.3	0	1																					
2	Scratch, Substances	<table border="1" style="width: 100%; border-collapse: collapse;"> <thead> <tr> <th rowspan="2" style="width: 30%;">Zone X(mm)/Y(mm)</th> <th colspan="2">Acceptable Number</th> <th rowspan="2">Class Of Defects</th> <th rowspan="2">Acceptable Level</th> </tr> <tr> <th>A</th> <th>B</th> </tr> </thead> <tbody> <tr> <td>* 0.04 W</td> <td>*</td> <td>*</td> <td rowspan="4" style="text-align: center;">Minor</td> <td rowspan="4" style="text-align: center;">2.5</td> </tr> <tr> <td>3.0 L W</td> <td>4</td> <td>4</td> </tr> <tr> <td>2.0 L W</td> <td>2</td> <td>3</td> </tr> <tr> <td>- 0.1 < W</td> <td>0</td> <td>1</td> </tr> </tbody> </table> <p>X: Length Y: Width *: Disregard Total defects should not exceed 4/module</p>	Zone X(mm)/Y(mm)	Acceptable Number		Class Of Defects	Acceptable Level	A	B	* 0.04 W	*	*	Minor	2.5	3.0 L W	4	4	2.0 L W	2	3	- 0.1 < W	0	1
Zone X(mm)/Y(mm)	Acceptable Number			Class Of Defects	Acceptable Level																		
	A	B																					
* 0.04 W	*	*	Minor	2.5																			
3.0 L W	4	4																					
2.0 L W	2	3																					
- 0.1 < W	0	1																					
3	Air Bubbles (between glass & polarizer)	<table border="1" style="width: 100%; border-collapse: collapse;"> <thead> <tr> <th rowspan="2" style="width: 30%;">Zone Dimension</th> <th colspan="2">Acceptable Number</th> <th rowspan="2">Class Of Defects</th> <th rowspan="2">Acceptable Level</th> </tr> <tr> <th>A</th> <th>B</th> </tr> </thead> <tbody> <tr> <td>D 0.15</td> <td>*</td> <td>*</td> <td rowspan="3" style="text-align: center;">Minor</td> <td rowspan="3" style="text-align: center;">2.5</td> </tr> <tr> <td>0.15 < D 0.25</td> <td>2</td> <td>*</td> </tr> <tr> <td>0.25 < D</td> <td>0</td> <td>1</td> </tr> </tbody> </table> <p>*: Disregard Total defects shall not excess 3/module.</p>	Zone Dimension	Acceptable Number		Class Of Defects	Acceptable Level	A	B	D 0.15	*	*	Minor	2.5	0.15 < D 0.25	2	*	0.25 < D	0	1			
Zone Dimension	Acceptable Number			Class Of Defects	Acceptable Level																		
	A	B																					
D 0.15	*	*	Minor	2.5																			
0.15 < D 0.25	2	*																					
0.25 < D	0	1																					

<p>4.</p>	<p>Uniformity</p>	<p>(1) Pixel shape (with Dent)</p>  <p>(2) Pixel shape (with Projection)</p>  <p>(3) Pin hole</p>  <p>(4) Deformation</p>  <p>Total acceptable number: 1/pixel ;.5/cell</p>
-----------	-------------------	---

11. Reliability

11.1 Content of Reliability Test

Environmental Test				
No.	Test Item	Content of Test	Test Condition	Applicable Standard
1	High Temperature storage	Endurance test applying the high storage temperature for a long time.	60 / 200hrs	—
2	Low Temperature storage	Endurance test applying the high storage temperature for a long time.	-20 200hrs	—
3	High Temperature Operation	Endurance test applying the electric stress (Voltage & Current) and the thermal stress to the element for a long time.	50 200hrs	—
4	Low Temperature Operation	Endurance test applying the electric stress under low temperature for a long time.	0 200hrs	—
5	High Temperature/ Humidity Storage	Endurance test applying the high temperature and high humidity storage for a long time.	60 ,90%RH 96hrs	—
6	High Temperature/ Humidity Operation	Endurance test applying the electric stress (Voltage & Current) and temperature / humidity stress to the element for a long time.	40 ,90%RH 96hrs	—
7	Temperature Cycle	Endurance test applying the low and high temperature cycle. 	-20 /60 10 cycles	—
Mechanical Test				
8	Vibration test	Endurance test applying the vibration during transportation and using.	10~22Hz 1.5mmp-p 22~500Hz 1.5G Total 0.5hrs	—
9	Shock test	Constructional and mechanical endurance test applying the shock during transportation.	50G Half sign wave 11 msdc 3 times of each direction	—
10	Atmospheric pressure test	Endurance test applying the atmospheric pressure during transportation by air.	115mbar 40hrs	—
Others				
11	Static electricity test	Endurance test applying the electric stress to the terminal.	VS=800V,RS=1.5k CS=100pF 1 time	—

***Supply voltage for logic system=5V. Supply voltage for LCD system =Operating voltage at 25

12. Controller data

12.1 Function description

The LCD display Module is built in a LSI controller, the controller has two 8-bit registers, an instruction register (IR) and a data register (DR).

The IR stores instruction codes, such as display clear and cursor shift, and address information for display data RAM (DDRAM) and character generator (CGRAM). The IR can only be written from the MPU.

The DR temporarily stores data to be written or read from DDRAM or CGRAM. When address information is written into the IR, then data is stored into the DR from DDRAM or CGRAM. By the register selector (RS) signal, these two registers can be selected.

RS	R/W	Operation
0	0	IR write as an internal operation (display clear, etc.)
0	1	Read busy flag (DB7) and address counter (DB0 to DB7)
1	0	Write data to DDRAM or CGRAM (DR to DDRAM or CGRAM)
1	1	Read data from DDRAM or CGRAM (DDRAM or CGRAM to DR)

Busy Flag (BF)

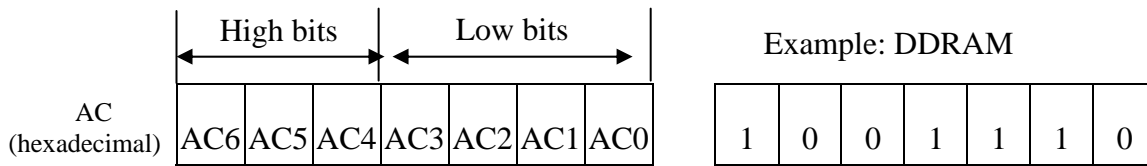
When the busy flag is 1, the controller LSI is in the internal operation mode and the next instruction will not be accepted. When RS=0 and R/W=1, the busy flag is output to DB7. The next instruction must be written after ensuring that the busy flag is 0.

Address Counter (AC)

The address counter (AC) assigns addresses to both DDRAM and CGRAM

Display Data RAM (DDRAM)

This DDRAM is used to store the display data represented in 8-bit character codes. Its extended capacity is 80×8 bits or 80 characters. Below figure is the relationship between DDRAM addresses and positions on the liquid crystal display.



DDRAM Address

Display position DDRAM address

1	2	3	4	5	6											20	
00	01	02	03	04	05												13
40	41	42	43	44	45												53
14	15	16	17	18	19												27
54	55	56	57	58	59												67

Example: 4-Line by 20-Character Display

Character Generator ROM (CGROM)

The CGROM generate 5×8 dot or 5×10 dot character patterns from 8-bit character codes. See Table 2.

12.2 Character Generator RAM (CGRAM)

In CGRAM, the user can rewrite character by program. For 5×8 dots, eight character patterns can be written, and for 5×10 dots, four character patterns can be written.

Write into DDRAM the character code at the addresses shown as the left column of table 1. To show the character patterns stored in CGRAM.

Relationship between CGRAM Addresses, Character Codes (DDRAM) and Character Patterns (CGRAM Data)

Relationship between CGRAM Addresses, Character Codes (DDRAM) and Character Patterns (CGRAM Data)

For 5 * 8 dot character patterns

Character Codes (DDRAM data)		CGRAM Address		Character Patterns (CGRAM data)			
7 6 5 4 3 2 1 0		5 4 3 2 1 0		7 6 5 4 3 2 1 0			
High	Low	High	Low	High	Low		
0 0 0 0 * 0 0 0		0 0 0	0 0 0	* * *	0	Character pattern(1)	
			0 0 1	* * *	0 0 0		
			0 1 0	* * *	0 0 0		
			0 1 1	* * *	0		
			1 0 0	* * *	0		0 0
			1 0 1	* * *	0 0		0
			1 1 0	* * *	0 0 0		0
			1 1 1	* * *	0 0 0 0 0		Cursor pattern
			0 0 0	* * *	0 0 0		0
			0 0 1	* * *	0		0
0 0 0 0 * 0 0 1		0 0 1	0 1 0	* * *	0 0 0	Character pattern(2)	
			0 1 1	* * *	0 0		0 0
			1 0 0	* * *	0 0		0 0
			1 0 1	* * *	0 0		0 0
			1 1 0	* * *	0 0		0 0
1 1 1	* * *	0 0 0 0 0	Cursor pattern				
			0 0 0	* * *			
			0 0 1	* * *			
0 0 0 0 * 1 1 1		1 1 1	1 0 0				
			1 0 1				
			1 1 0				
			1 1 1	* * *			

For 5 * 10 dot character patterns

Character Codes (DDRAM data)		CGRAM Address		Character Patterns (CGRAM data)			
7 6 5 4 3 2 1 0		5 4 3 2 1 0		7 6 5 4 3 2 1 0			
High	Low	High	Low	High	Low		
0 0 0 0 * 0 0 0		0 0	0 0 0 0	* * *	0 0 0 0 0 0	Character pattern	
			0 0 0 1	* * *	0 0 0 0 0 0		
			0 0 1 0	* * *	0		0 0 0
			0 0 1 1	* * *	0 0 0		0
			0 1 0 0	* * *	0 0 0		0
			0 1 0 1	* * *	0 0 0		0
			0 1 1 0	* * *	0		0 0 0 0
			0 1 1 1	* * *	0 0 0 0 0		Cursor pattern
			1 0 0 0	* * *	0 0 0 0 0		0
			1 0 0 1	* * *	0 0 0 0 0		0
1 0 1 0	* * *	0 0 0 0 0	0				
			1 1 1 1	* * *	* * * * *		

■ : " High "

12.3 C.G ROM table (table 2)

Code RS RN RK: English –European Font

Upper 4 bit Lower 4 bit	LLLL	LLLH	LLHL	LLHH	LHLL	LHLH	LHHL	LHHH	HLLL	HLLH	HLHL	HLHH	HHLL	HHLH	HHHL	HHHH
LLLL	CG RAM (1)	!	"	#	\$	%	&	'	()	*	+	,	-	.	/
LLLH	CG RAM (2)	0	1	2	3	4	5	6	7	8	9	:	;	<	=	>
LLHL	CG RAM (3)	;	<	=	>	?	@	A	B	C	D	E	F	G	H	I
LLHH	CG RAM (4)	J	K	L	M	N	O	P	Q	R	S	T	U	V	W	X
LHLL	CG RAM (5)	Y	Z	[]	^	_	`	{	}	~	!	"	#	\$	%
LHLH	CG RAM (6)	&	'	()	*	+	,	-	.	/	:	;	<	=	>
LHHL	CG RAM (7)	@	A	B	C	D	E	F	G	H	I	J	K	L	M	N
LHHH	CG RAM (8)	O	P	Q	R	S	T	U	V	W	X	Y	Z	[]	^
HLLL	CG RAM (1)	_	`	{	}	~	!	"	#	\$	%	&	'	()	*
HLLH	CG RAM (2)	+	,	-	.	/	:	;	<	=	>	?	@	A	B	C
HLHL	CG RAM (3)	D	E	F	G	H	I	J	K	L	M	N	O	P	Q	R
HLHH	CG RAM (4)	S	T	U	V	W	X	Y	Z	[]	^	_	`	{	}
HHLL	CG RAM (5)	~	!	"	#	\$	%	&	'	()	*	+	,	-	.
HHLH	CG RAM (6)	/	:	;	<	=	>	?	@	A	B	C	D	E	F	G
HHHL	CG RAM (7)	H	I	J	K	L	M	N	O	P	Q	R	S	T	U	V
HHHH	CG RAM (8)	W	X	Y	Z	[]	^	_	`	{	}	~	!	"	#

Code PS PN PM: English –Japanese Font

Upper 4 bit Lower 4 bit	LLLL	LLLH	LLHL	LLHH	LHLL	LHLH	LHHL	LHHH	HLLL	HLLH	HLHL	HLHH	HHLL	HHLH	HHHL	HHHH
LLLL	CG RAM (1)			0	1	2	3	4				5	6	7	8	9
LLLH	(2)	!	"	#	\$	%	&	'	()	*	+	,	-	.	/
LLHL	(3)	:	;	<	=	>	?	@	[]	^	_	~	0	1	2
LLHH	(4)	3	4	5	6	7	8	9								
LHLL	(5)	a	b	c	d	e	f	g								
LHLH	(6)	h	i	j	k	l	m	n								
LHHL	(7)	o	p	q	r	s	t	u								
LHHH	(8)	v	w	x	y	z	[]								
HLLL	(1)	{		}	~	0	1	2								
HLLH	(2)	3	4	5	6	7	8	9								
HLHL	(3)	:	;	<	=	>	?@	[]	^	_	~	0	1	2	3
HLHH	(4)	4	5	6	7	8	9									
HHLL	(5)	a	b	c	d	e	f	g								
HHLH	(6)	h	i	j	k	l	m	n								
HHHL	(7)	o	p	q	r	s	t	u								
HHHH	(8)	v	w	x	y	z	[]								

Code TS: English –Cyrillic Font

Upper 4 bit Lower 4 bit	LLLL	LLLH	LLHL	LLHH	LHLL	LHLH	LHHL	LHHH	HLLL	HLLH	HLHL	HLHH	HHLL	HHLH	HHHL	HHHH
LLLL	CG RAM (1)			G	A	P	'	P			E	W	.	W	M	
LLLH	CG RAM (2)		!	1	A	O	a	a			r	W	,	L	M	
LLHL	CG RAM (3)		"	2	B	B	b	r			e	E	U	U	M	
LLHH	CG RAM (4)		*	3	C	S	c	s			M	W	U	a	M	
LHLL	CG RAM (5)		*	4	D	T	t	t			B	r	Y	o	M	
LHLH	CG RAM (6)		*	5	E	L	e	U			W	o	X	U	'	
LHHL	CG RAM (7)		*	6	F	U	f	U			C	W	Y	U	M	
LHHH	CG RAM (8)		*	7	G	U	g	U			J	a	I	'	'	
HLLL	CG RAM (1)		;	C	H	X	x	X			r	W	U	'	'	*
HLLH	CG RAM (2)		;	9	T	V	v	y			V	W	T	'	'	*
HLHL	CG RAM (3)		*	8	J	Z	z	Z			O	K	U	o	o	*
HLHH	CG RAM (4)		*	8	K	C	k	U			Y	W	P	W	o	*
HHLL	CG RAM (5)		.	<	L	P	l	U			U	W	W	U	U	*
HHLH	CG RAM (6)		—	—	M	J	m	U			b	W	C	W	o	*
HHHL	CG RAM (7)		;	>	N	W	n	U			U	W	S	U	o	*
HHHH	CG RAM (8)		/	?	O	O	o	U			O	T	E	o	U	*

Code MS MM: English –European Font

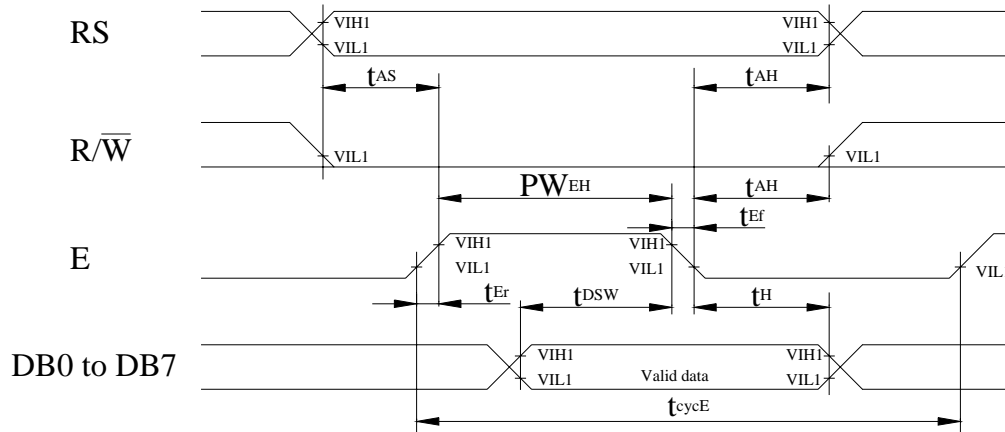
Upper 4 bit Lower 4 bit	LLLL	LLLH	LLHL	LLHH	LHLL	LHLH	LHHL	LHHH	HLLL	HLLH	HLHL	HLHH	HHLL	HHLH	HHHL	HHHH
LLLL	CG RAM (1)															
LLLH	CG RAM (2)															
LLHL	CG RAM (3)															
LLHH	CG RAM (4)															
LHLL	CG RAM (5)															
LHLH	CG RAM (6)															
LHHL	CG RAM (7)															
LHHH	CG RAM (8)															
HLLL	CG RAM (1)															
HLLH	CG RAM (2)															
HLHL	CG RAM (3)															
HLHH	CG RAM (4)															
HHLL	CG RAM (5)															
HHLH	CG RAM (6)															
HHHL	CG RAM (7)															
HHHH	CG RAM (8)															

12.4 Instruction table

Instruction	Instruction Code										Description	Execution time (fosc=270Khz)	
	RS	R/W	DB7	DB6	DB5	DB4	DB3	DB2	DB1	DB0			
Clear Display	0	0	0	0	0	0	0	0	0	1	Write "00H" to DDRAM and set DDRAM address to "00H" from AC	1.53ms	
Return Home	0	0	0	0	0	0	0	0	0	1	-	Set DDRAM address to "00H" from AC and return cursor to its original position if shifted. The contents of DDRAM are not changed.	1.53ms
Entry Mode Set	0	0	0	0	0	0	0	0	1	I/D	SH	Assign cursor moving direction and enable the shift of entire display.	39 μ s
Display ON/OFF Control	0	0	0	0	0	0	0	1	D	C	B	Set display (D), cursor (C), and blinking of cursor (B) on/off control bit.	39 μ s
Cursor or Display Shift	0	0	0	0	0	0	1	S/C	R/L	-	-	Set cursor moving and display shift control bit, and the direction, without changing of DDRAM data.	39 μ s
Function Set	0	0	0	0	1	DL	N	F	-	-	-	Set interface data length (DL:8-bit/4-bit), numbers of display line (N:2-line/1-line)and, display font type (F:5×11 dots/5×8 dots)	39 μ s
Set CGRAM Address	0	0	0	1	AC5	AC4	AC3	AC2	AC1	AC0		Set CGRAM address in address counter.	39 μ s
Set DDRAM Address	0	0	1	AC6	AC5	AC4	AC3	AC2	AC1	AC0		Set DDRAM address in address counter.	39 μ s
Read Busy Flag and Address	0	1	BF	AC6	AC5	AC4	AC3	AC2	AC1	AC0		Whether during internal operation or not can be known by reading BF. The contents of address counter can also be read.	0 μ s
Write Data to RAM	1	0	D7	D6	D5	D4	D3	D2	D1	D0		Write data into internal RAM (DDRAM/CGRAM).	43 μ s
Read Data from RAM	1	1	D7	D6	D5	D4	D3	D2	D1	D0		Read data from internal RAM (DDRAM/CGRAM).	43 μ s

12.5 Timing characteristics

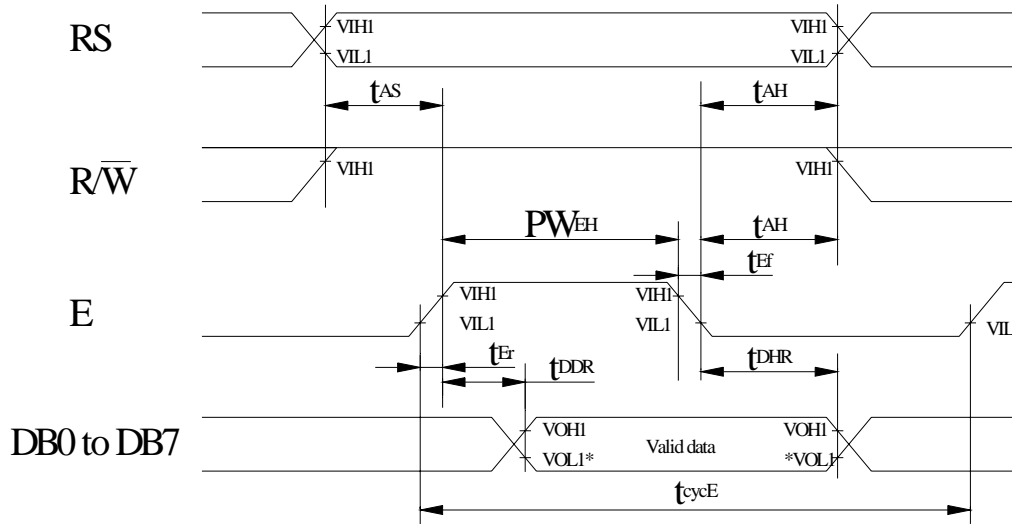
Write Operation



$T_a = 25^\circ\text{C}$, $V_{dd} = 5.0 \pm 0.5\text{V}$

Item	Symbol	Min	Typ	Max	Unit
Enable cycle time	t_{cycE}	500	-	-	ns
Enable pulse width (high level)	PW_{EH}	230	-	-	ns
Enable rise/fall time	$t_{\text{Er}}, t_{\text{Ef}}$	-	-	20	ns
Address set-up time (RS, R/W to E)	t_{AS}	40	-	-	ns
Address hold time	t_{AH}	10	-	-	ns
Data set-up time	t_{DSW}	80	-	-	ns
Data hold time	t_{H}	10	-	-	ns

Read Operation



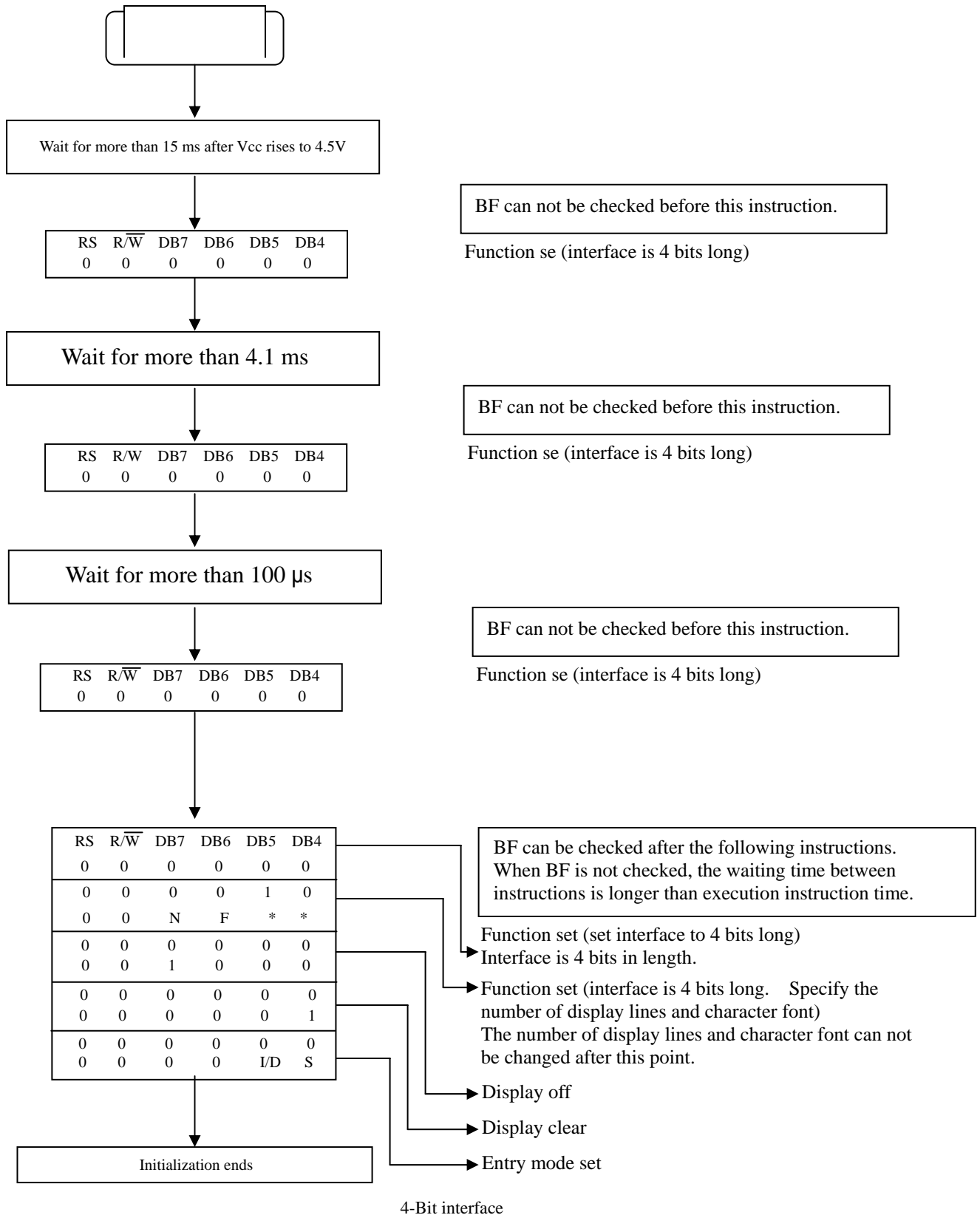
NOTE: *VOL1 is assumed to be 0.8V at 2 MHz operation.

$T_a=25$, $V_{dd}=5.0\pm 0.5V$

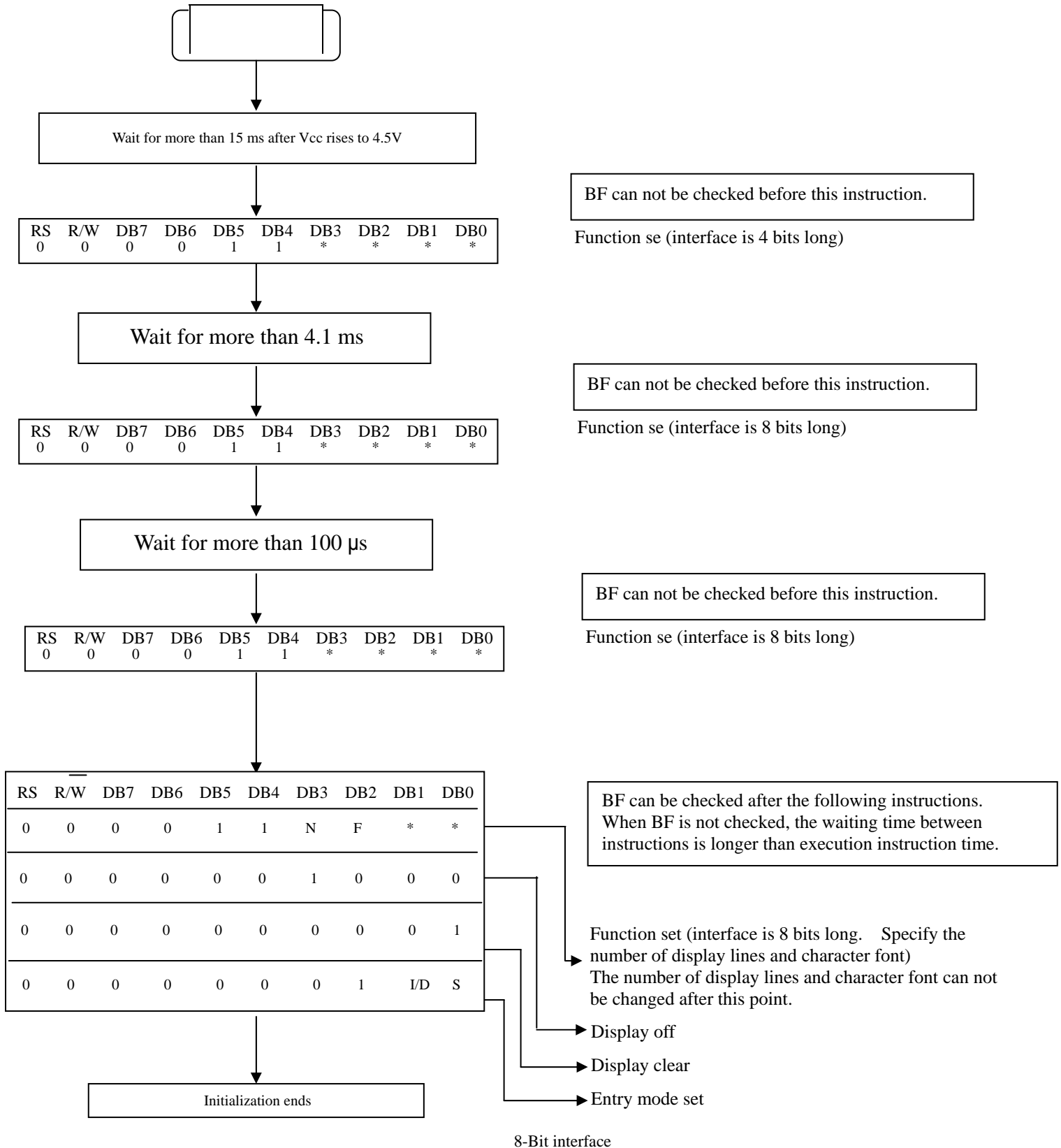
Item	Symbol	Min	Typ	Max	Unit
Enable cycle time	t_{cycE}	500	-	-	ns
Enable pulse width (high level)	PW_{EH}	230	-	-	ns
Enable rise/fall time	t_{Er}, t_{Ef}	-	-	20	ns
Address set-up time (RS, R/W to E)	t_{AS}	40	-	-	ns
Address hold time	t_{AH}	10	-	-	ns
Data delay time	t_{DDR}	-	-	100	ns
Data hold time	t_{DHR}	5	-	-	ns

12.6 Initializing soft ware of LCM

4-bit interface



8-bit interface



13. Outline drawing

