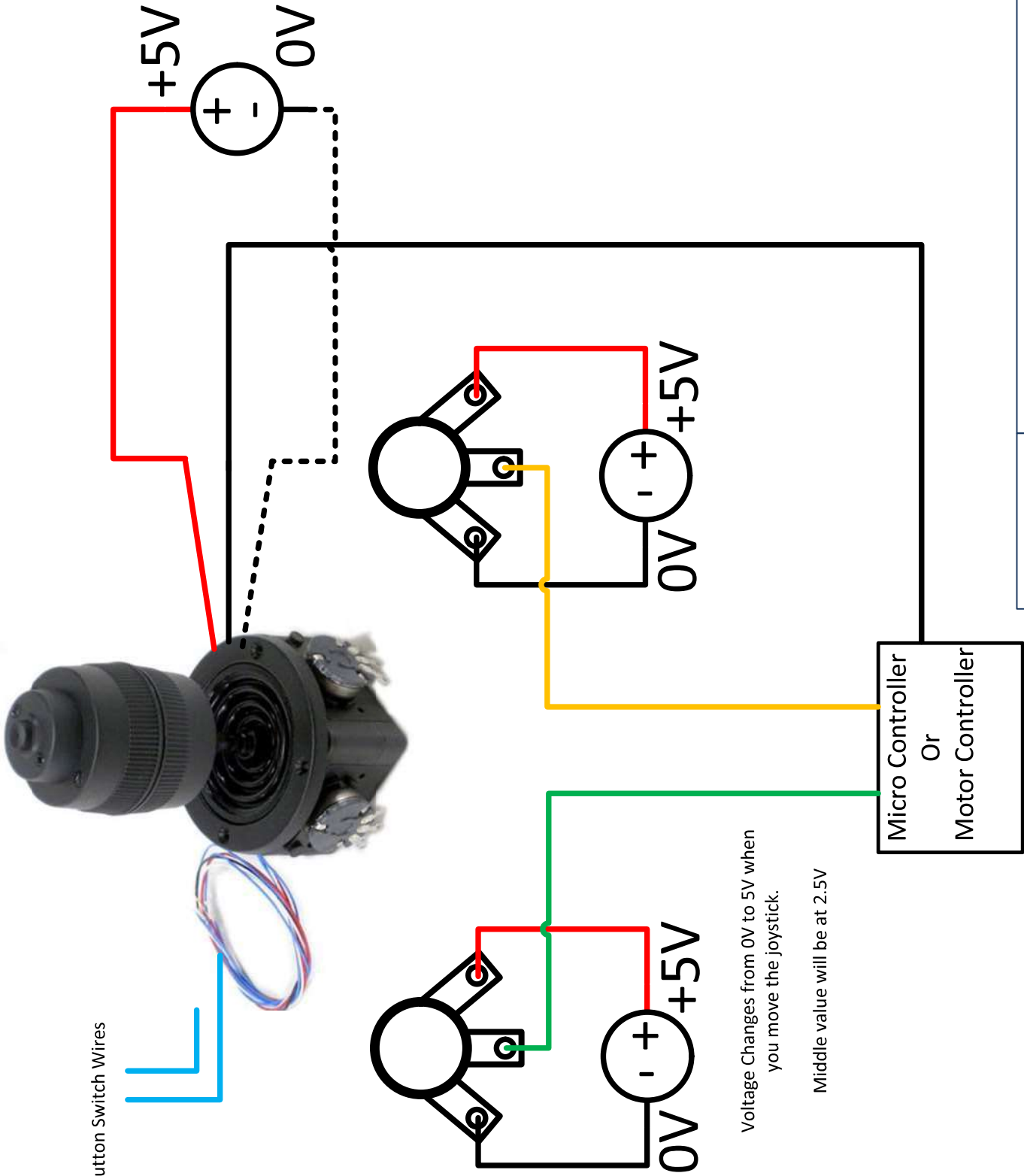


Top Button Switch Wires



Voltage Changes from 0V to 5V when you move the joystick.

Middle value will be at 2.5V

